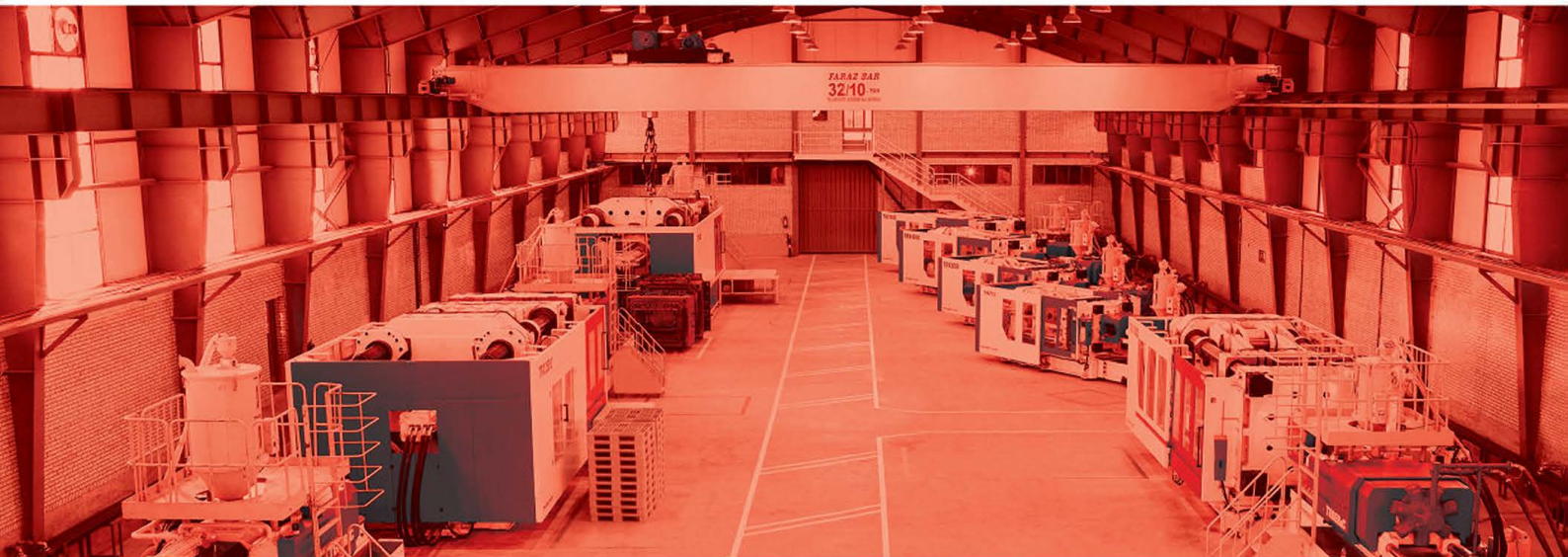


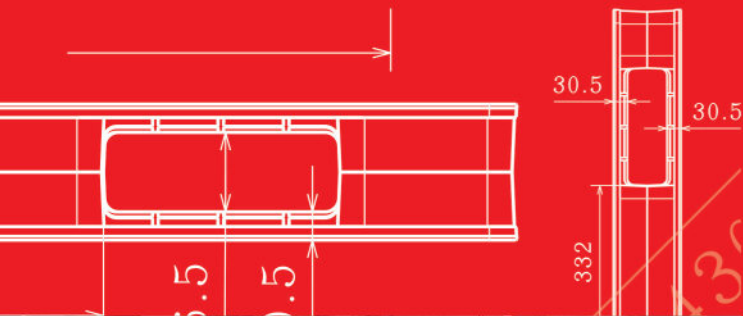


Plastic Pallet

Products & Specifications



IranPlast Products
▶ **PLASTIC PALLET**





IranPlast Products

PLASTIC PALLET

Improvements in the supply chain in modern logistics!

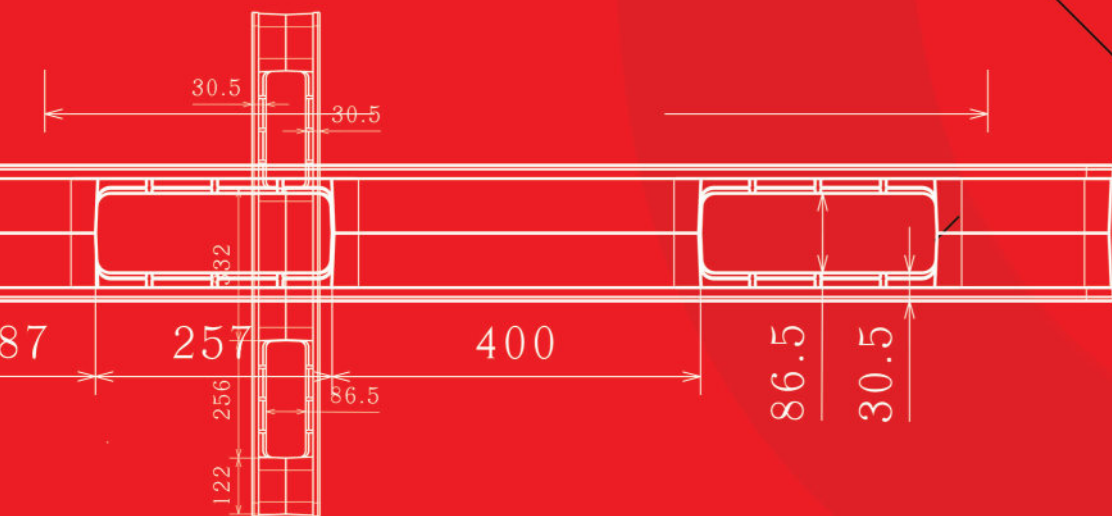
IRANPLAST Plastic Pallets are manufactured from virgin HDPE/PP injection grade and UV stabilizer additive. Long service life and heavy load-bearing capabilities in two industrial and hygienic pallets from light to heavy-duty Plastic Pallets types.

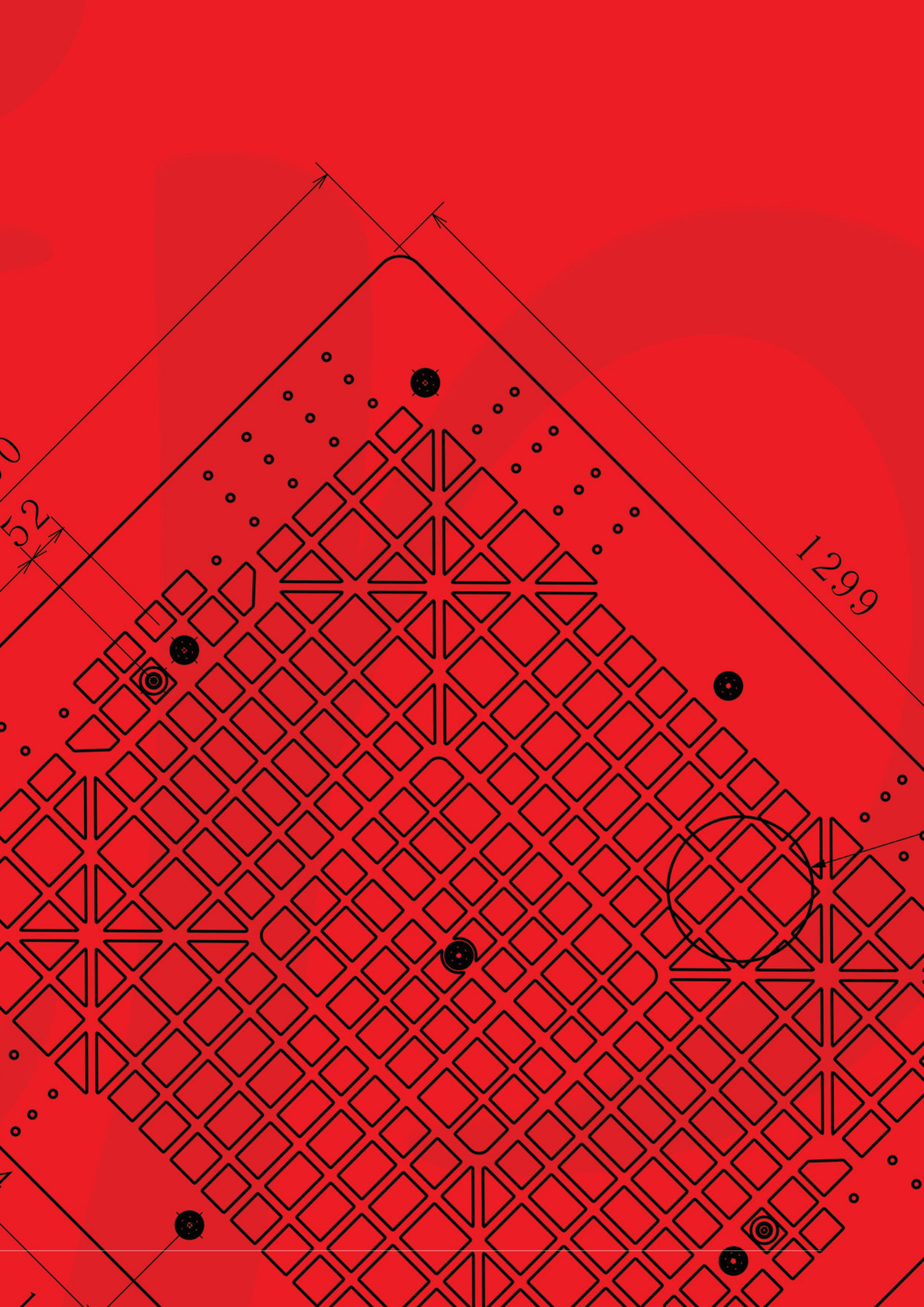
Hygienic Pallets:

HP Series Pallets are ideally suited for heavy-duty loads for those who need hygienic handling and packaging. The closed solid decks and sealed joints do not allow bacteria and fungi growth and enable the pallet to be resistant to damage, washable, easy to clean and durable.

Industrial Pallets:

Industrial Plastic Pallets: light, medium and heavy-duty, designed to use in any industries. They are easy to handle and simplify the process of loading and unloading and efficient storage and ensure safe delivery and piling of the product with the aim of stabilization.





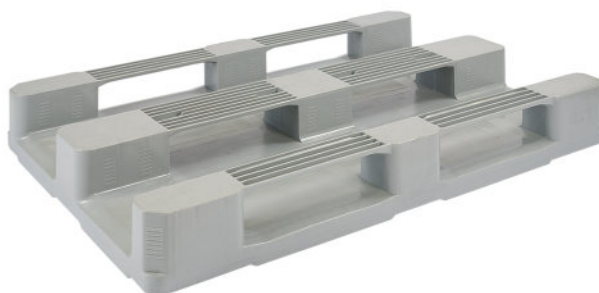
152

1299

150

▶ HP1

Hygienic Plastic Pallet



Specifications:

Material	Virgin HDPE Inj. grade + UV Stabilizer
Dimension	1200 x 800 x 160 mm (±5 mm)
Static Load	5000 Kg
Dynamic Load	1250 Kg
Racking Load	1000 Kg
Pallet Weight	18 Kg (±3%)
40' HC Cntr/88 m ³ TRK Capacity	550 / 644 Pcs

More details:



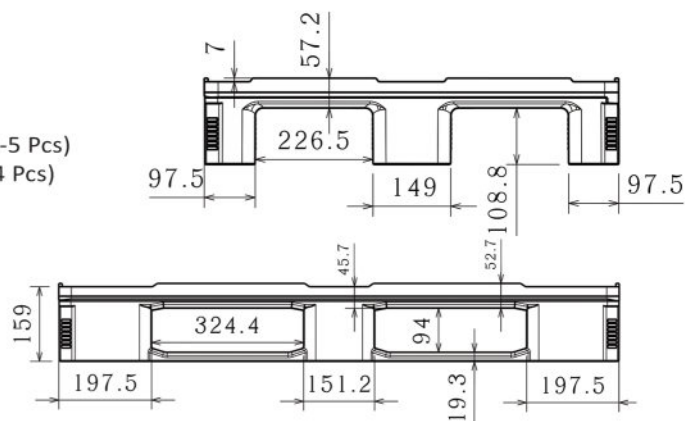
The load capacities are based on evenly distributed loads.

Properties:

- Single surface
- Closed solid top deck
- 7 mm safety rims
- 3 skid runners
- 4-way entry
- Forklift / Hand-jack compatible
- Welded
- Stackable

Customization:

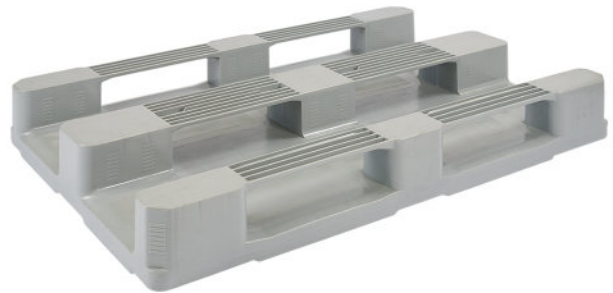
- Any standard RAL color
- Reinforcement profiles (3-5 Pcs)
- Anti-slip strips option (2-4 Pcs)
- Closed solid skid runners
- Safety rims
- Embossing logo
- Printing logo



All dimensions may vary ±5 mm due to the production process & raw material characteristics.

▶ HP1-3P

Hygienic Plastic Pallet (Reinforced)



Specifications:

Material	Virgin HDPE Inj. grade + UV Stabilizer
Dimension	1200 x 800 x 160 mm (±5mm)
Static Load	7500 Kg
Dynamic Load	1500 Kg
Racking Load	1500 Kg
Pallet Weight	22 Kg (±3%)
40' HC Cntr/88 m ³ TRK Capacity	550 / 644 Pcs

More details:



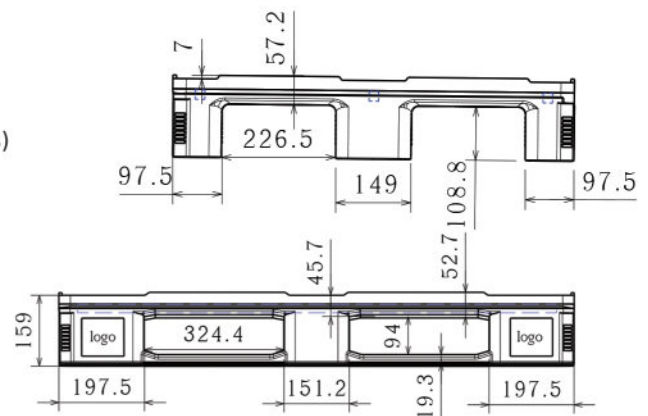
The load capacities are based on evenly distributed loads.

Properties:

- Single surface
- Closed solid top deck
- 3 reinforcement profiles
- 7 mm safety rims
- 3 skid runners
- 4-way entry
- Forklift / Hand-jack compatible
- Welded
- Stackable

Customization:

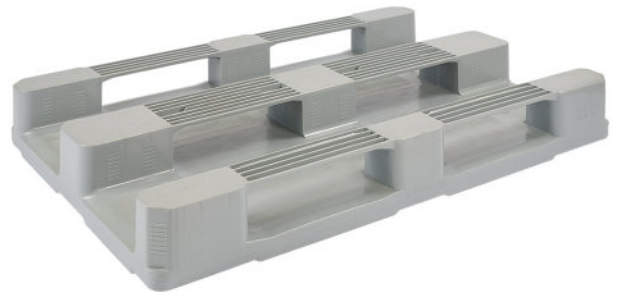
- Any standard RAL color
- Anti-slip strips option (2-4 Pcs)
- Closed solid skid runners
- Safety rims
- Embossing logo
- Printing logo



All dimensions may vary ±5 mm due to the production process & raw material characteristics.

▶ HP1-5P

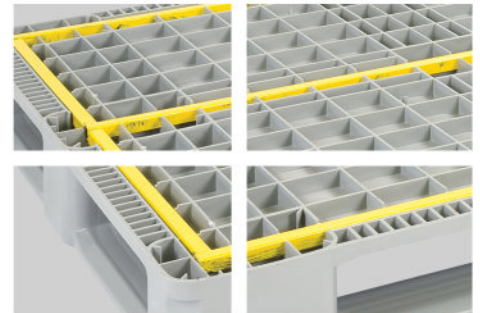
Hygienic Plastic Pallet (Reinforced)



Specifications:

Material	Virgin HDPE Inj. grade + UV Stabilizer
Dimension	1200 x 800 x 160 mm (±5 mm)
Static Load	7500 Kg
Dynamic Load	1750 Kg
Racking Load	1750 Kg
Pallet Weight	23.5 Kg (±3%)
40' HC Cntr/88 m ³ TRK Capacity	550 / 644 Pcs

More details:



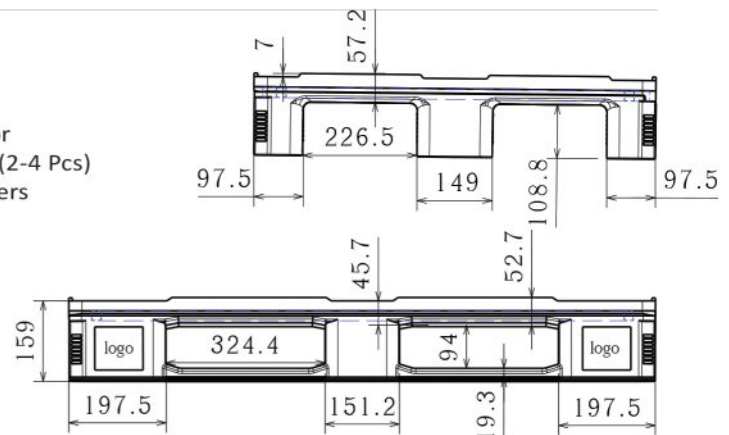
The load capacities are based on evenly distributed loads.

Properties:

- Single surface
- Closed solid top deck
- 5 reinforcement profiles
- 7 mm safety rims
- 3 skid runners
- 4-way entry
- Forklift / Hand-jack compatible
- Welded
- Stackable

Customization:

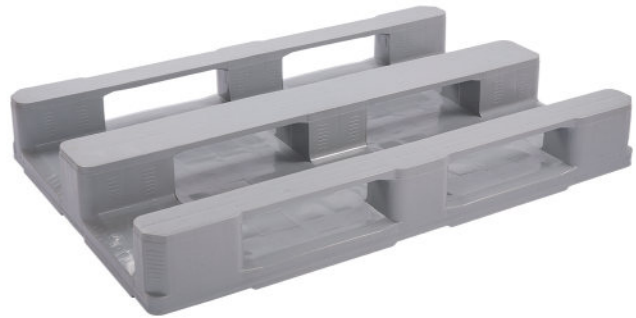
- Any standard RAL color
- Anti-slip strips option (2-4 Pcs)
- Closed solid skid runners
- Safety rims
- Embossing logo
- Printing logo



All dimensions may vary ±5 mm due to the production process & raw material characteristics.

▶ HP1-CR

Hygienic Plastic Pallet



Specifications:

Material	Virgin HDPE Inj. grade + UV Stabilizer
Dimension	1200 x 800 x 160 mm (±5 mm)
Static Load	5000 Kg
Dynamic Load	1250 Kg
Racking Load	1000 Kg
Pallet Weight	19.5 Kg (±3%)
40' HC Cntr/88 m ³ TRK Capacity	550 / 644 Pcs

More details:



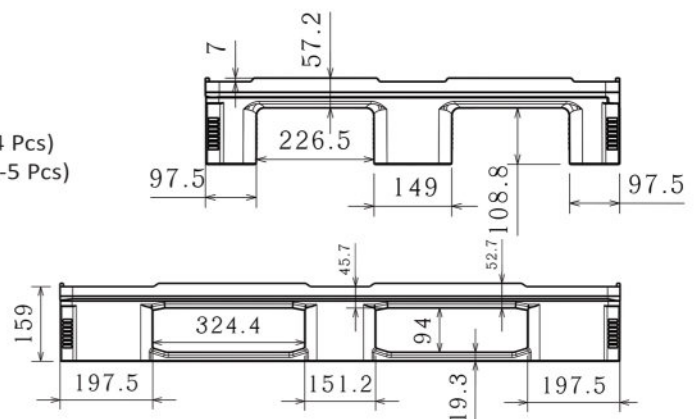
The load capacities are based on evenly distributed loads.

Properties:

- Single surface
- Closed solid decks
- 7 mm safety rims
- 3 closed solid skid runners
- 4-way entry
- Forklift / Hand-jack compatible
- Welded
- Stackable

Customization:

- Any standard RAL color
- Anti-slip strips option (2-4 Pcs)
- Reinforcement profiles (3-5 Pcs)
- Safety rims
- Embossing logo
- Printing logo



All dimensions may vary ±5 mm due to the production process & raw material characteristics.

▶ HP1-CR-3P

Hygienic Plastic Pallet (Reinforced)



Specifications:

Material	Virgin HDPE Inj. grade + UV Stabilizer
Dimension	1200 x 800 x 160 mm (±5 mm)
Static Load	7500 Kg
Dynamic Load	1500 Kg
Racking Load	1500 Kg
Pallet Weight	23.5 Kg (±3%)
40' HC Cntr/88 m ³ TRK Capacity	550 / 644 Pcs

More details:



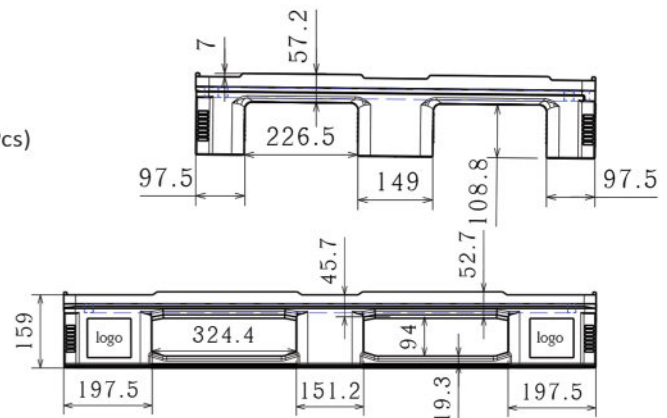
The load capacities are based on evenly distributed loads.

Properties:

- Single surface
- Closed solid decks
- 3 reinforcement profiles
- 7 mm safety rims
- 3 closed solid skid runners
- 4-way entry
- Forklift / Hand-jack compatible
- Welded
- Stackable

Customization:

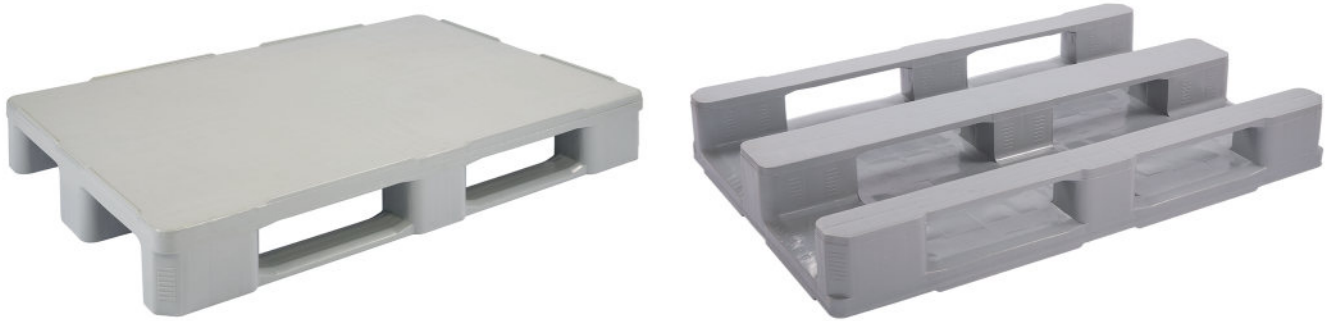
- Any standard RAL color
- Anti-slip strips option (2-4 Pcs)
- Closed solid skid runners
- Safety rims
- Embossing logo
- Printing logo



All dimensions may vary ±5 mm due to the production process & raw material characteristics.

▶ HP1-CR-5P

Hygienic Plastic Pallet (Reinforced)

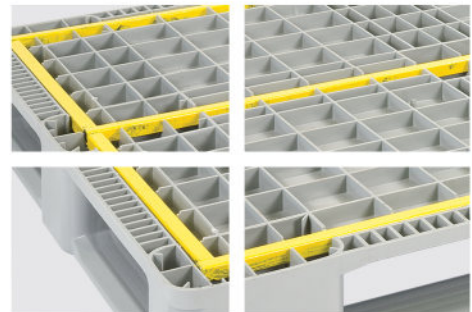


Specifications:

Material	Virgin HDPE Inj. grade + UV Stabilizer
Dimension	1200 x 800 x 160 mm (±5 mm)
Static Load	7500 Kg
Dynamic Load	1750 Kg
Racking Load	1750 Kg
Pallet Weight	25 Kg (±3%)
40' HC Cntr/88 m ³ TRK Capacity	550 / 644 Pcs

The load capacities are based on evenly distributed loads.

More details:

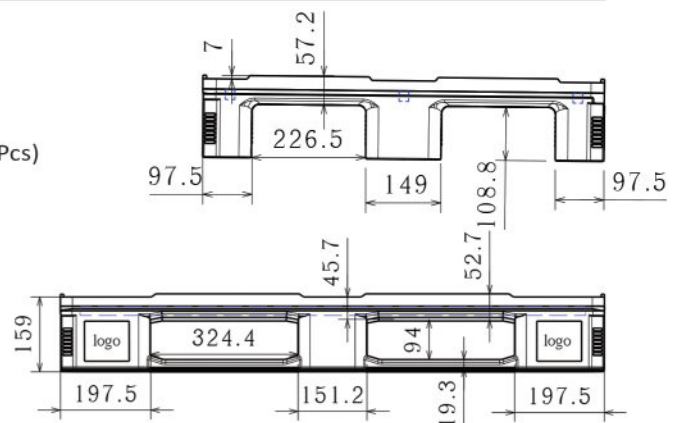


Properties:

- Single surface
- Closed solid decks
- 5 reinforcement profiles
- 7 mm safety rims
- 3 closed solid skid runners
- 4-way entry
- Forklift / Hand-jack compatible
- Welded
- Stackable

Customization:

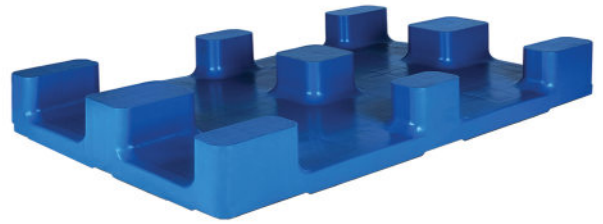
- Any standard RAL color
- Anti-slip strips option (2-4 Pcs)
- Safety rims
- Embossing logo
- Printing logo



All dimensions may vary ±5 mm due to the production process & raw material characteristics.

▶ HP2

Hygienic Plastic Pallet



Specifications:

Material	Virgin HDPE Inj. grade + UV Stabilizer
Dimension	1200 x 800 x 130 mm (±5 mm)
Static Load	5000 Kg
Dynamic Load	1250 Kg
Racking Load	X
Pallet Weight	14 Kg (±3%)
40' HC Cntr/88 m ³ TRK Capacity	638 / 786 Pcs

More details:



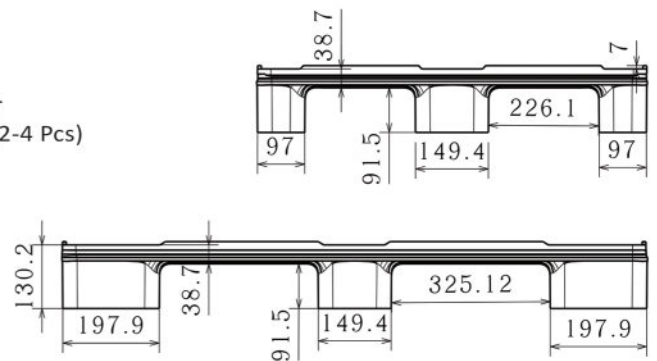
The load capacities are based on evenly distributed loads.

Properties:

- Single surface
- Closed solid decks
- 7 mm safety rims
- 9 Legs
- 4-way entry
- Forklift / Hand-jack compatible
- Welded
- Stackable

Customization:

- Any standard RAL color
- Anti-slip strips option (2-4 Pcs)
- Safety rims
- Printing logo



All dimensions may vary ±5 mm due to the production process & raw material characteristics.

▶ HP3

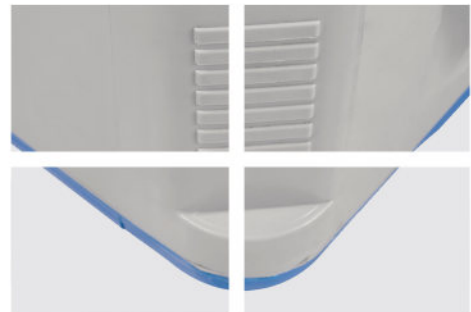
Hygienic Plastic Pallet



Specifications:

Material	Virgin HDPE Inj. grade + UV Stabilizer
Dimension	1200 x 1000 x 160 mm (±5 mm)
Static Load	7500 Kg
Dynamic Load	1500 Kg
Racking Load	1250 Kg
Pallet Weight	22 Kg (±3%)
40' HC Cntr/88 m ³ TRK Capacity	451 / 520 Pcs

More details:



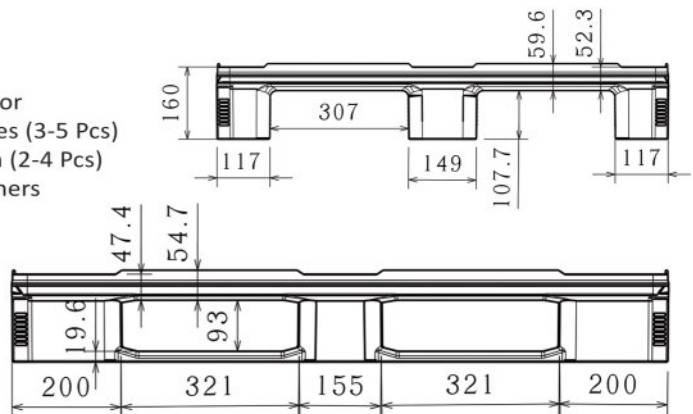
The load capacities are based on evenly distributed loads.

Properties:

- Single surface
- Closed solid top deck
- 7 mm safety rims
- 3 skid runners
- 4-way entry
- Forklift / Hand-jack compatible
- Welded
- Stackable

Customization:

- Any standard RAL color
- Reinforcement profiles (3-5 Pcs)
- Anti-slip strips option (2-4 Pcs)
- Closed solid skid runners
- Safety rims
- Embossing logo
- Printing logo



All dimensions may vary ±5 mm due to the production process & raw material characteristics.

▶ HP3-3P

Hygienic Plastic Pallet (Reinforced)



Specifications:

Material	Virgin HDPE Inj. grade + UV Stabilizer
Dimension	1200 x 1000 x 160 mm (±5 mm)
Static Load	7500 Kg
Dynamic Load	1750 Kg
Racking Load	1750 Kg
Pallet Weight	26 Kg (±3%)
40' HC Cntr/88 m ³ TRK Capacity	451 / 520 Pcs

More details:



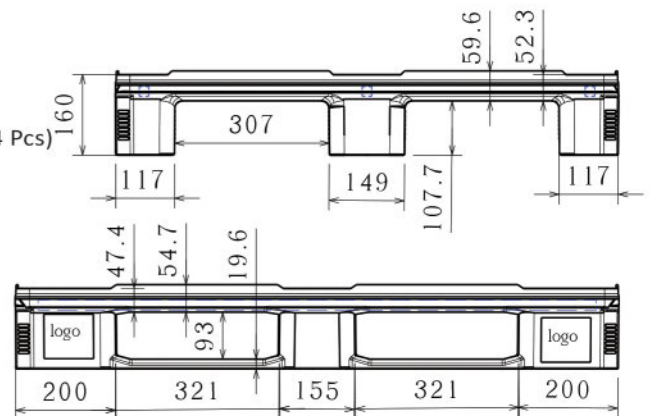
The load capacities are based on evenly distributed loads.

Properties:

- Single surface
- Closed solid top deck
- 3 reinforcement profiles
- 7 mm safety rims
- 3 skid runners
- 4-way entry
- Forklift / Hand-jack compatible
- Welded
- Stackable

Customization:

- Any standard RAL color
- Anti-slip strips option (2-4 Pcs)
- Closed solid skid runners
- Safety rims
- Embossing logo
- Printing logo



All dimensions may vary ±5 mm due to the production process & raw material characteristics.

▶ HP3-5P

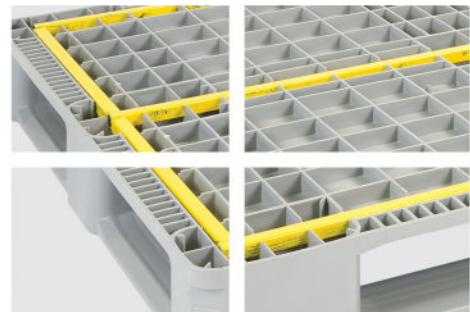
Hygienic Plastic Pallet (Reinforced)



Specifications:

Material	Virgin HDPE Inj. grade + UV Stabilizer
Dimension	1200 x 1000 x 160 mm (±5 mm)
Static Load	7500 Kg
Dynamic Load	2000 Kg
Racking Load	2000 Kg
Pallet Weight	27.5 Kg (±3%)
40' HC Cntr/88 m ³ TRK Capacity	451 / 520 Pcs

More details:



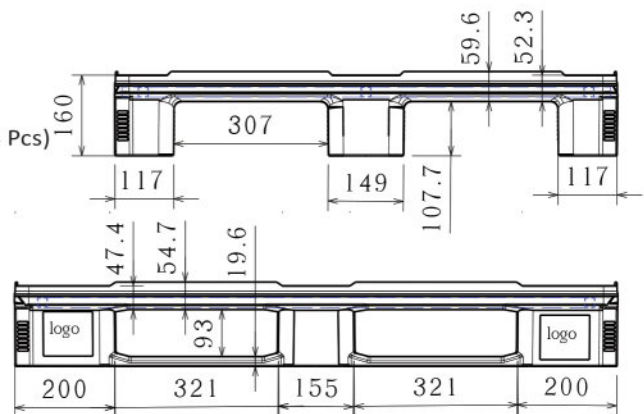
The load capacities are based on evenly distributed loads.

Properties:

- Single surface
- Closed solid top deck
- 5 reinforcement profiles
- 7 mm safety rims
- 3 skid runners
- 4-way entry
- Forklift / Hand-jack compatible
- Welded
- Stackable

Customization:

- Any standard RAL color
- Anti-slip strips option (2-4 Pcs)
- Closed solid skid runners
- Safety rims
- Embossing logo
- Printing logo



All dimensions may vary ±5 mm due to the production process & raw material characteristics.

▶ HP3-CR

Hygienic Plastic Pallet (Reinforced)



Specifications:

Material	Virgin HDPE Inj. grade + UV Stabilizer
Dimension	1200 x 1000 x 160 mm (±5 mm)
Static Load	7500 Kg
Dynamic Load	1500 Kg
Racking Load	1250 Kg
Pallet Weight	24 Kg (±3%)
40' HC Cntr/88 m ³ TRK Capacity	451 / 520 Pcs

More details:



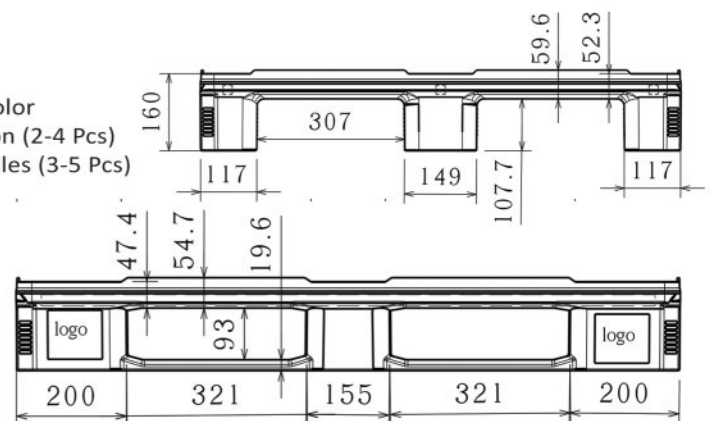
The load capacities are based on evenly distributed loads.

Properties:

- Single surface
- Closed solid decks
- 7 mm safety rims
- 3 closed solid skid runners
- 4-way entry
- Forklift / Hand-jack compatible
- Welded
- Stackable

Customization:

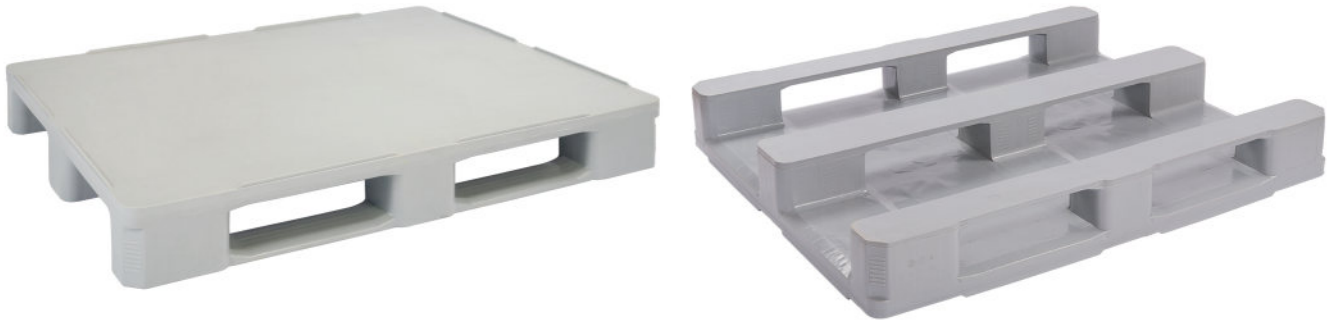
- Any standard RAL color
- Anti-slip strips option (2-4 Pcs)
- Reinforcement profiles (3-5 Pcs)
- Embossing logo
- Printing logo
- Safety rims



All dimensions may vary ±5 mm due to the production process & raw material characteristics.

▶ HP3-CR-3P

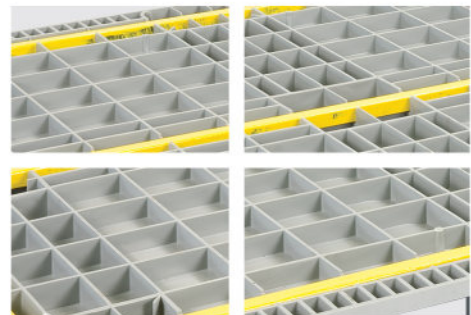
Hygienic Plastic Pallet (Reinforced)



Specifications:

Material	Virgin HDPE Inj. grade + UV Stabilizer
Dimension	1200 x 1000 x 160 mm (±5mm)
Static Load	7500 Kg
Dynamic Load	1750 Kg
Racking Load	1750 Kg
Pallet Weight	28 Kg (±3%)
40' HC Cntr/88 m ³ TRK Capacity	451 / 520 Pcs

More details:



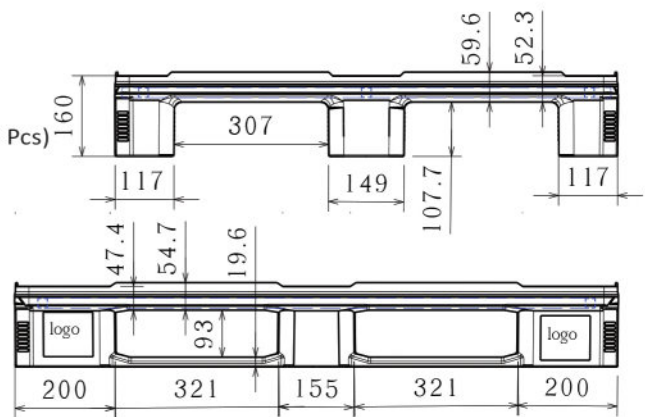
The load capacities are based on evenly distributed loads.

Properties:

- Single surface
- Closed solid decks
- 3 reinforcement profiles
- 7 mm safety rims
- 3 closed solid skid runners
- 4-way entry
- Forklift / Hand-jack compatible
- Welded
- Stackable

Customization:

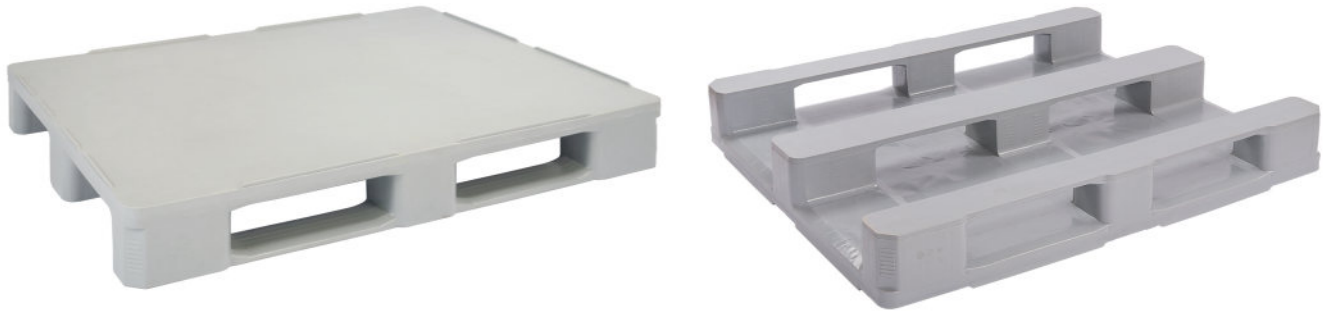
- Any standard RAL color
- Anti-slip strips option (2-4 Pcs)
- Safety rims
- Embossing logo
- Printing logo



All dimensions may vary ±5 mm due to the production process & raw material characteristics.

▶ HP3-CR-5P

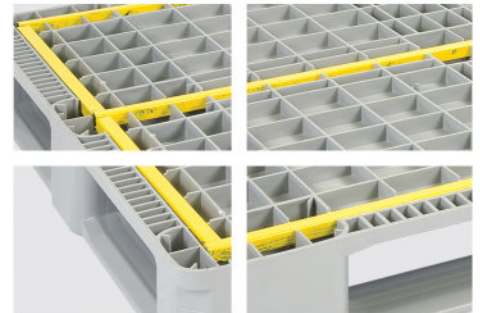
Hygienic Plastic Pallet (Reinforced)



Specifications:

Material	Virgin HDPE Inj. grade + UV Stabilizer
Dimension	1200 x 1000 x 160 mm (±5 mm)
Static Load	7500 Kg
Dynamic Load	2000 Kg
Racking Load	2000 Kg
Pallet Weight	29.5 Kg (±3%)
40' HC Cntr/88 m ³ TRK Capacity	451 / 550 Pcs

More details:



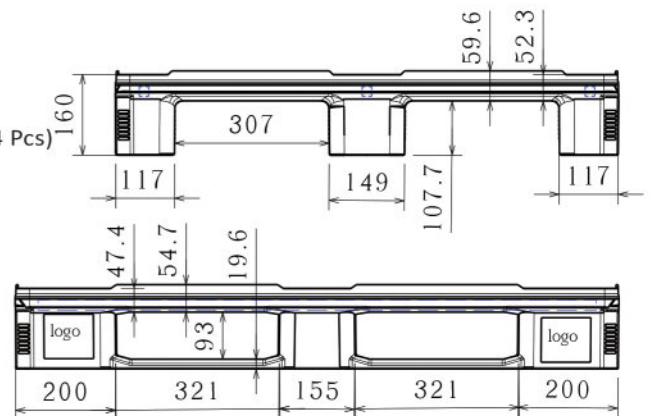
The load capacities are based on evenly distributed loads.

Properties:

- Single surface
- Closed solid decks
- 5 reinforcement profiles
- 7 mm safety rims
- 3 closed skid runners
- 4-way entry
- Forklift / Hand-jack compatible
- Welded
- Stackable

Customization:

- Any standard RAL color
- Anti-slip strips option (2-4 Pcs)
- Safety rims
- Embossing logo
- Printing logo



All dimensions may vary ±5 mm due to the production process & raw material characteristics.

▶ HP3-5R

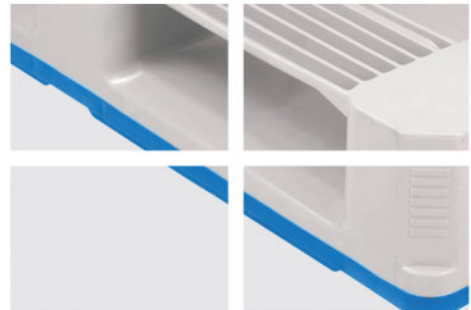
Hygienic Plastic Pallet



Specifications:

Material	Virgin HDPE Inj. grade + UV Stabilizer
Dimension	1200 x 1000 x 160 mm (±5 mm)
Static Load	7500 Kg
Dynamic Load	1500 Kg
Racking Load	1250 Kg
Pallet Weight	23.5 Kg (±3%)
40' HC Cntr/88 m ³ TRK Capacity	364 / 428 Pcs

More details:



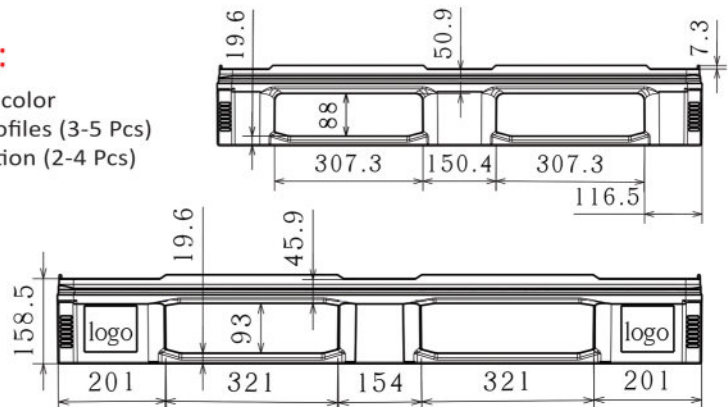
The load capacities are based on evenly distributed loads.

Properties:

- Single surface
- Closed solid top deck
- 7 mm safety rims
- 5 skid runners
- 4-way entry
- Forklift / Hand-jack compatible
- Welded
- Stackable

Customization:

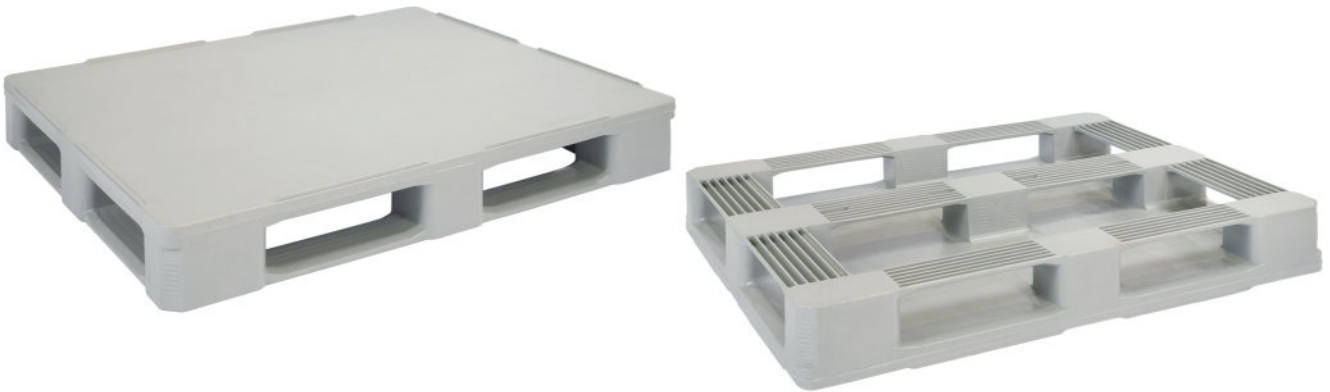
- Any standard RAL color
- Reinforcement profiles (3-5 Pcs)
- Anti-slip strips option (2-4 Pcs)
- Safety rims
- Embossing logo
- Printing logo



All dimensions may vary ±5 mm due to the production process & raw material characteristics.

▶ HP3-5R-3P

Hygienic Plastic Pallet (Reinforced)



Specifications:

Material	Virgin HDPE Inj. grade + UV Stabilizer
Dimension	1200 x 1000 x 160 mm (±5 mm)
Static Load	7500 Kg
Dynamic Load	1750 Kg
Racking Load	1750 Kg
Pallet Weight	27.5 Kg (±3%)
40' HC Cntr/88 m ³ TRK Capacity	364 / 428 Pcs

More details:



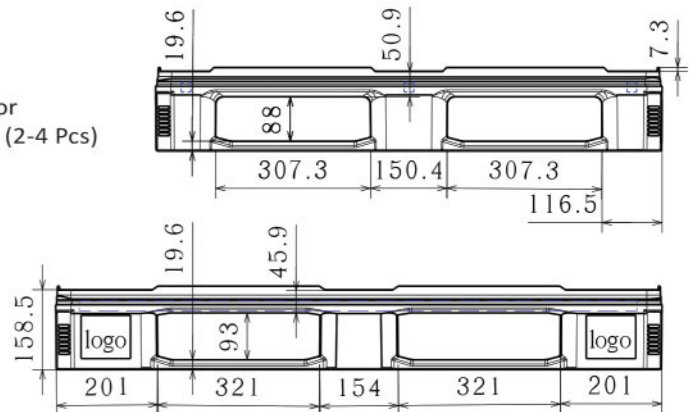
The load capacities are based on evenly distributed loads.

Properties:

- Single surface
- Closed solid top deck
- 3 reinforcement profiles
- 7 mm safety rims
- 5 skid runners
- 4-way entry
- Forklift / Hand-jack compatible
- Welded
- Stackable

Customization:

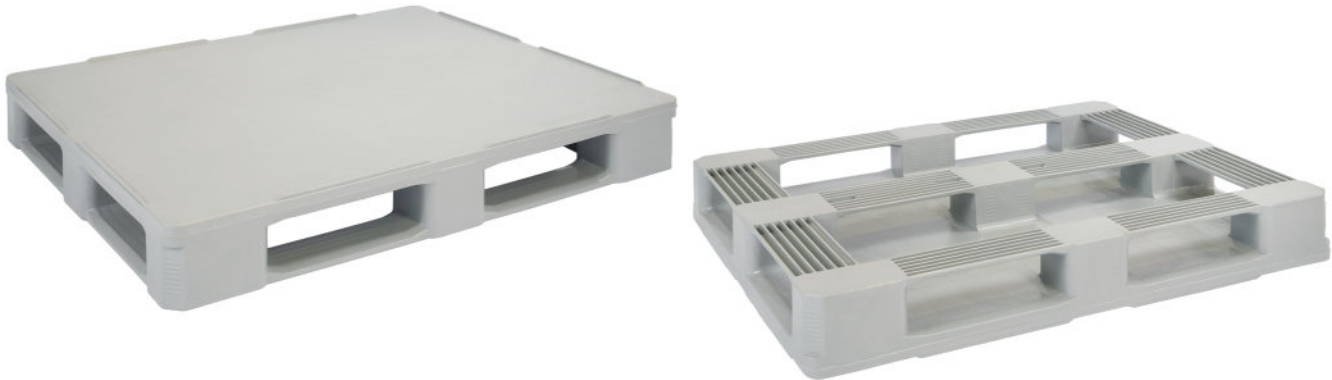
- Any standard RAL color
- Anti-slip strips option (2-4 Pcs)
- Safety rims
- Embossing logo
- Printing logo



All dimensions may vary ±5 mm due to the production process & raw material characteristics.

▶ HP3-5R-5P

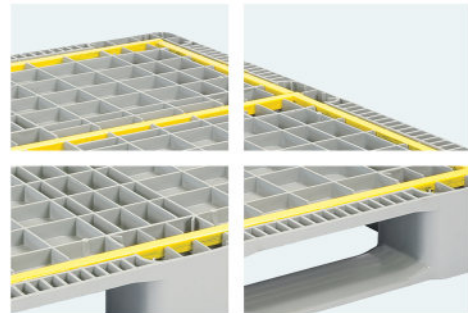
Hygienic Plastic Pallet (Reinforced)



Specifications:

Material	Virgin HDPE Inj. grade + UV Stabilizer
Dimension	1200 x 1000 x 160 mm (±5 mm)
Static Load	7500 Kg
Dynamic Load	2000 Kg
Racking Load	2000 Kg
Pallet Weight	29 Kg (±3%)
40' HC Cntr/88 m ³ TRK Capacity	364 / 428 Pcs

More details:



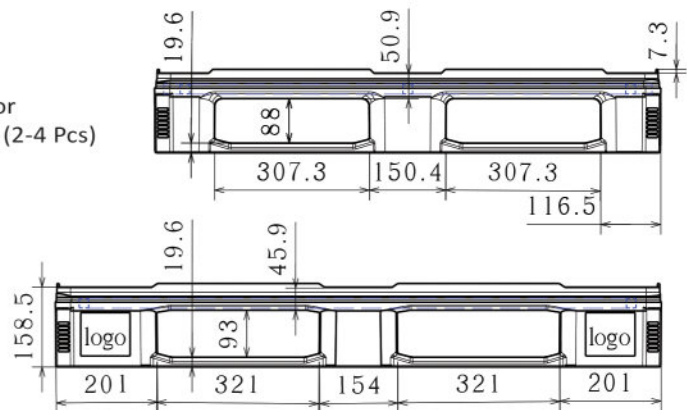
The load capacities are based on evenly distributed loads.

Properties:

- Single surface
- Closed solid top deck
- 5 reinforcement profiles
- 7 mm safety rims
- 5 skid runners
- 4-way entry
- Forklift / Hand-jack Compatible
- Welded
- Stackable

Customization:

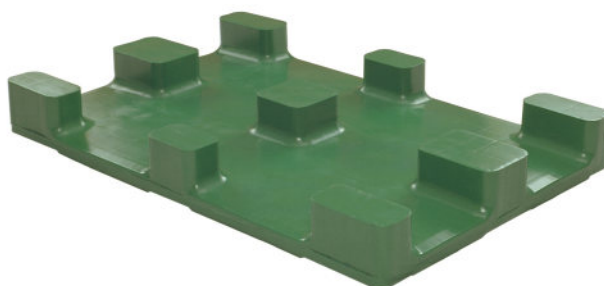
- Any standard RAL color
- Anti-slip strips option (2-4 Pcs)
- Safety rims
- Embossing logo
- Printing logo



All dimensions may vary ±5 mm due to the production process & raw material characteristics.

▶ HP4

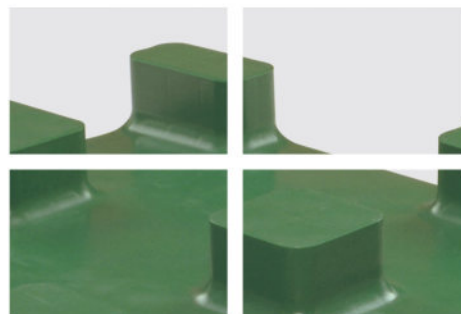
Hygienic Plastic Pallet



Specifications:

Material	Virgin HDPE Inj. grade + UV Stabilizer
Dimension	1200 x 1000 x 130 mm (±5 mm)
Static Load	5000 Kg
Dynamic Load	1250 Kg
Racking Load	X
Pallet Weight	16.5 Kg (±3%)
40' HC Cntr/88 m ³ TRK Capacity	568 / 650 Pcs

More details:



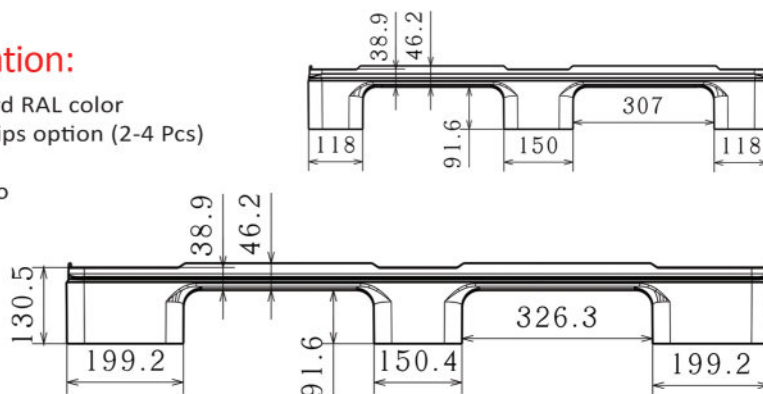
The load capacities are based on evenly distributed loads.

Properties:

- Single surface
- Closed solid decks
- 7 mm safety rims
- 9 Legs
- 4-way entry
- Forklift / Hand-jack compatible
- Welded
- Stackable

Customization:

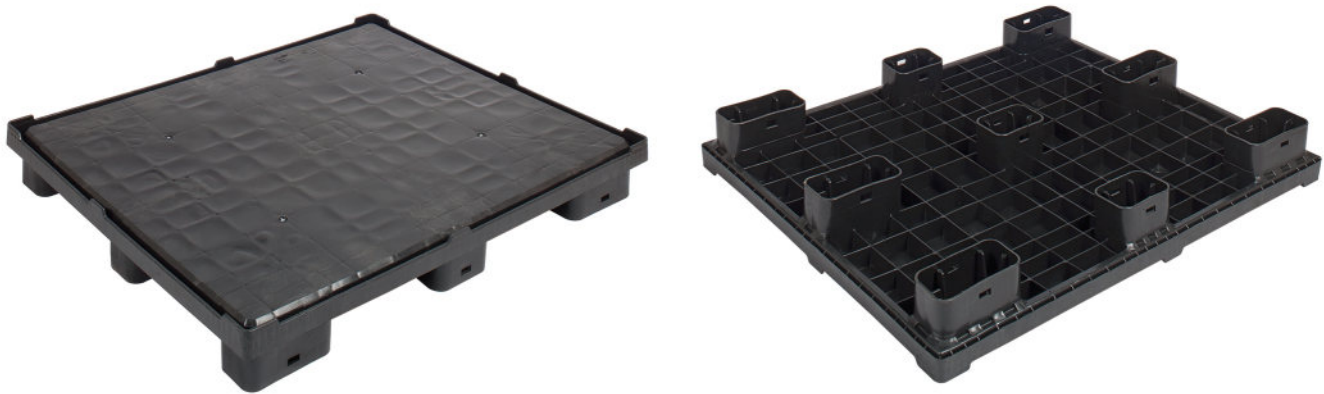
- Any standard RAL color
- Anti-slip strips option (2-4 Pcs)
- Safety rims
- Printing logo



All dimensions may vary ±5 mm due to the production process & raw material characteristics.

▶ IP1

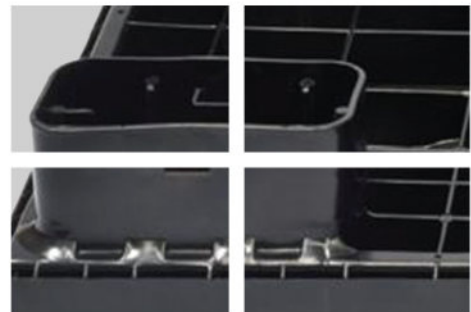
Semi-Hygienic Plastic Pallet



Specifications:

Material	Virgin HDPE Inj. grade + UV Stabilizer
Dimension	1200 x 1000 x 140 mm (±5 mm)
Static Load	5000 Kg
Dynamic Load	1250 Kg
Racking Load	X
Pallet Weight	13.5 Kg (±3%)
40' HC Cntr/88 m ³ TRK Capacity	550 / 650 Pcs

More details:



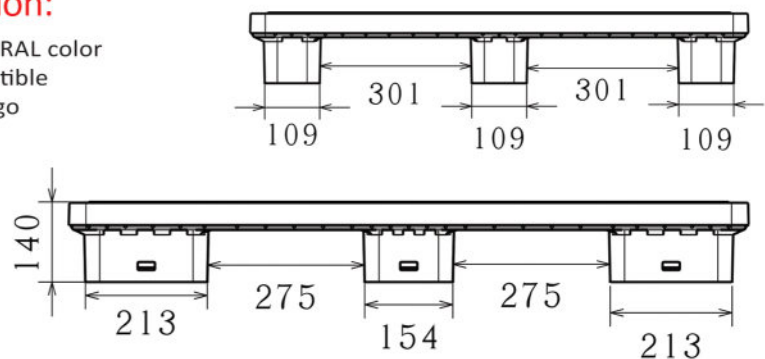
The load capacities are based on evenly distributed loads.

Properties:

- Single surface
- Semi-closed top deck
- 40 mm gutter
- 9 legs
- 4-way entry
- Forklift / Hand-jack compatible
- One shot
- Stackable

Customization:

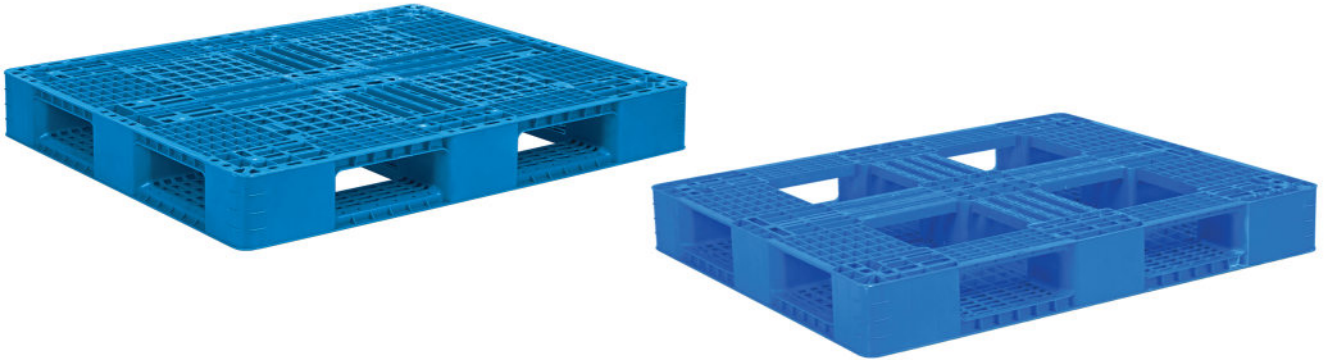
- Any standard RAL color
- Sleeve compatible
- Embossing logo



All dimensions may vary ±5 mm due to the production process & raw material characteristics.

▶ IP2

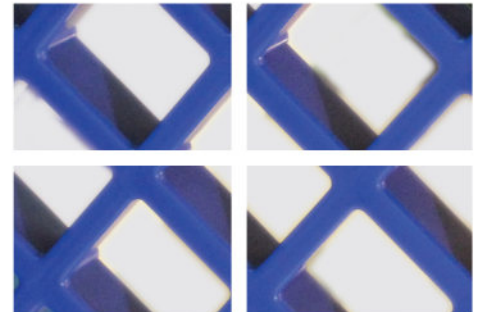
Industrial Plastic Pallet



Specifications:

Material	Virgin HDPE Inj. grade + UV Stabilizer
Dimension	1200 x 1000 x 150 mm (±5 mm)
Static Load	5000 Kg
Dynamic Load	1250 Kg
Racking Load	400 Kg
Pallet Weight	14.5 Kg (±3%)
40' HC Cntr/88 m ³ TRK Capacity	394 / 450 Pcs

More details:



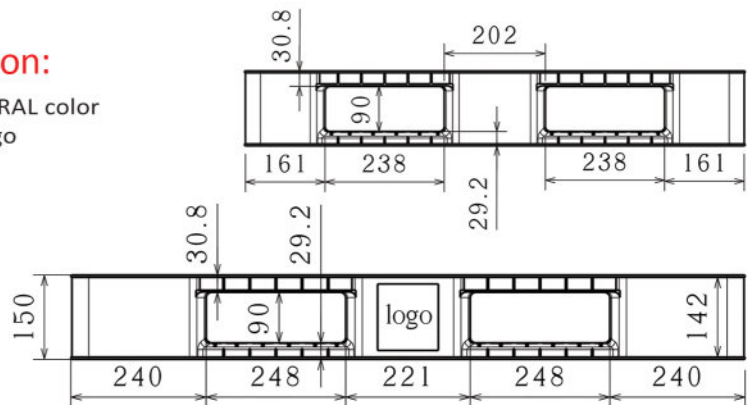
The load capacities are based on evenly distributed loads.

Properties:

- Single surface
- Ventilated full-perimeter decks
- Anti-slip rubber plugs
- 6 skid runners
- 4-way entry
- Forklift / Hand-jack compatible
- One shot
- Stackable

Customization:

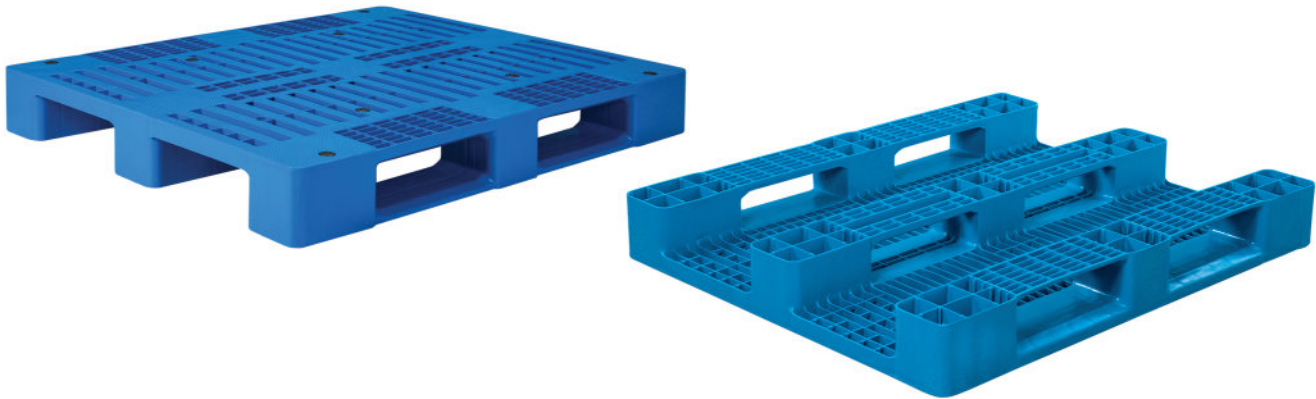
- Any standard RAL color
- Embossing logo
- Printing logo



All dimensions may vary ±5 mm due to the production process & raw material characteristics.

▶ IP3

Industrial Plastic Pallet



Specifications:

Material	Virgin HDPE Inj. grade + UV Stabilizer
Dimension	1200 x 1000 x 150 mm (±5 mm)
Static Load	5000 Kg
Dynamic Load	1250 Kg
Racking Load	600 Kg
Pallet Weight	15.5 Kg (±3%)
40' HC Cntr/88 m ³ TRK Capacity	550 / 600 Pcs

More details:



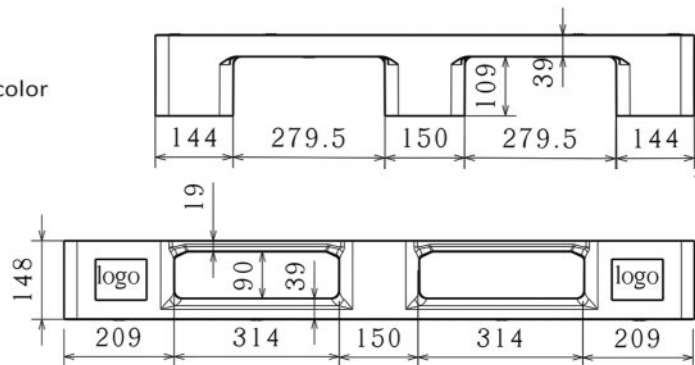
The load capacities are based on evenly distributed loads.

Properties:

- Single surface
- Ventilated decks
- Anti-slip rubber plugs
- 3 skid runners
- 4-way entry
- Forklift / Hand-jack compatible
- One shot
- Stackable

Customization:

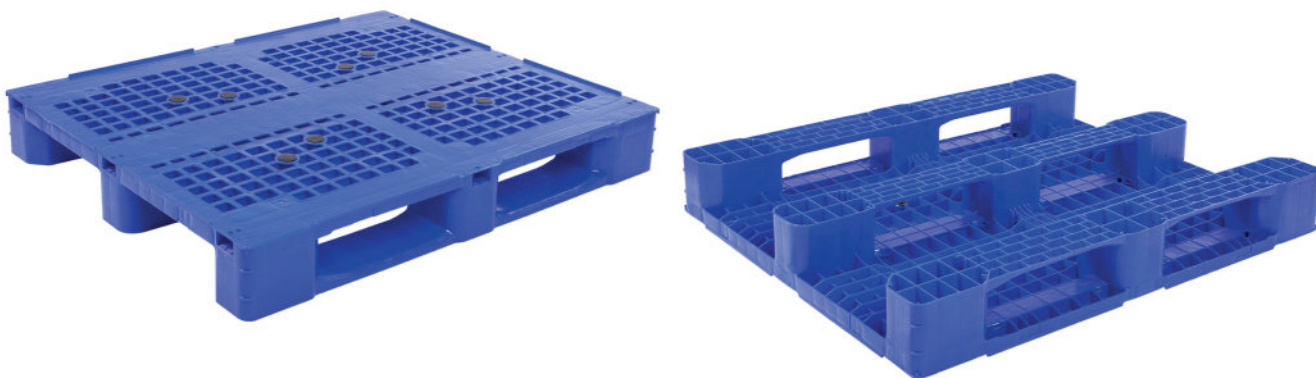
- Any standard RAL color
- Embossing logo
- Printing logo



All dimensions may vary ±5 mm due to the production process & raw material characteristics.

▶ IP4-3R

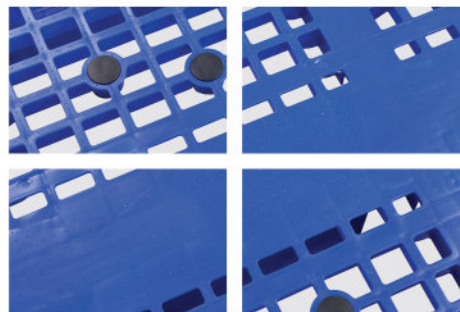
Industrial Plastic Pallet



Specifications:

Material	Virgin HDPE Inj. grade + UV Stabilizer
Dimension	1200 x 1000 x 157 mm (±5 mm)
Static Load	5000 Kg
Dynamic Load	1200 Kg
Racking Load	600 Kg
Pallet Weight	14.50 Kg (±3%)
40' HC Cntr/88 m ³ TRK Capacity	473 / 520 Pcs

More details:



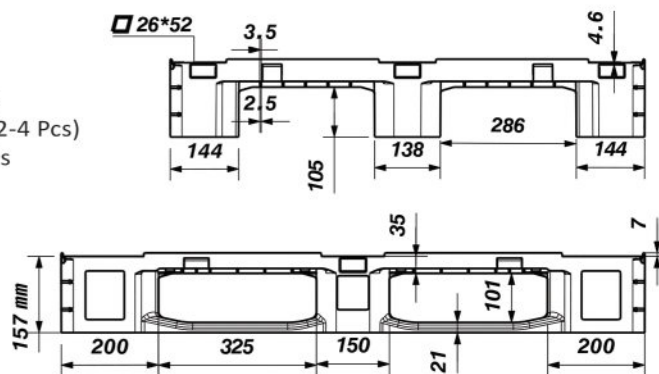
The load capacities are based on evenly distributed loads.

Properties:

- Single surface
- Ventilated decks
- 7 mm safety rims
- Anti-slip rubber plugs
- 3 skid runners
- 4-way entry
- Forklift / Hand-jack compatible
- One shot
- Stackable

Customization:

- Any standard RAL color
- Anti-slip strips option (2-4 Pcs)
- 3 reinforcement profiles
- 7-22 mm safety rims
- Embossing logo
- Printing logo



All dimensions may vary ±5 mm due to the production process & raw material characteristics.

► IP4-3R-3P (Parallel Reinforced)

Industrial Plastic Pallet

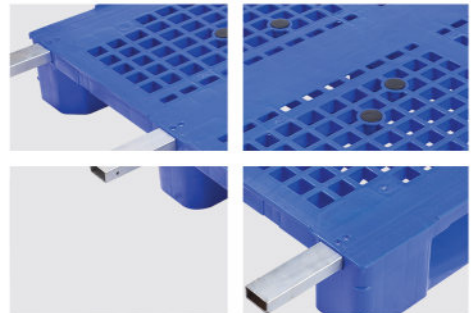


Specifications:

Material	Virgin HDPE Inj. grade + UV Stabilizer
Dimension	1200 x 1000 x 157 mm (±5 mm)
Static Load	5000 Kg
Dynamic Load	1500 Kg
Racking Load	1500 Kg
Pallet Weight	21 Kg (±3%)
40' HC Cntr/88 m ³ TRK Capacity	473 / 520 Pcs

The load capacities are based on evenly distributed loads.

More details:

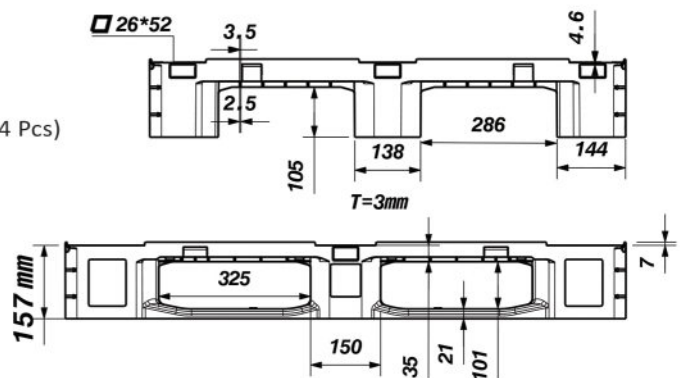


Properties:

- Single surface
- Ventilated decks
- 3 reinforcement parallel profiles
- 7 mm safety rims
- Anti-slip rubber plugs
- 3 skid runners
- 4-way entry
- Forklift / Hand-jack compatible
- One shot
- Stackable

Customization:

- Any standard RAL color
- Anti-slip strips option (2-4 Pcs)
- 7-22 mm safety rims
- Embossing logo
- Printing logo



All dimensions may vary ±5 mm due to the production process & raw material characteristics.

► IP4-3R-3P (H-type Reinforced)

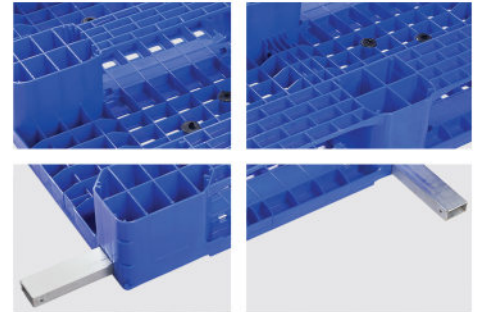
Industrial Plastic Pallet



Specifications:

Material	Virgin HDPE Inj. grade + UV Stabilizer
Dimension	1200 x 1000 x 157 mm (±5 mm)
Static Load	5000 Kg
Dynamic Load	1750 Kg
Racking Load	1000 Kg
Pallet Weight	20 Kg (±3%)
40' HC Cntr/88 m ³ TRK Capacity	473 / 520 Pcs

More details:



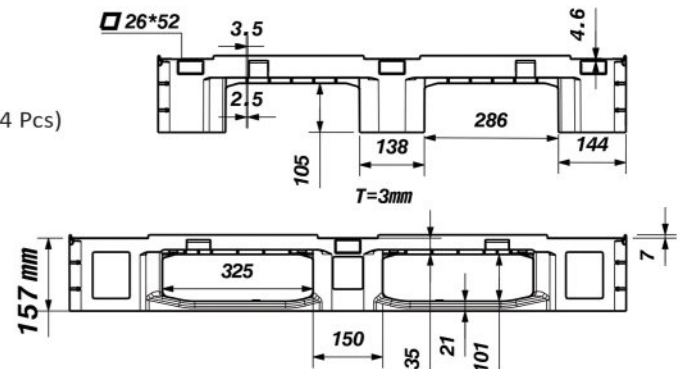
The load capacities are based on evenly distributed loads.

Properties:

- Single surface
- Ventilated decks
- 3 reinforcement H-type profiles
- 7 mm safety rims
- Anti-slip rubber plugs
- 3 skid runners
- 4-way entry
- Forklift / Hand-jack compatible
- One shot
- Stackable

Customization:

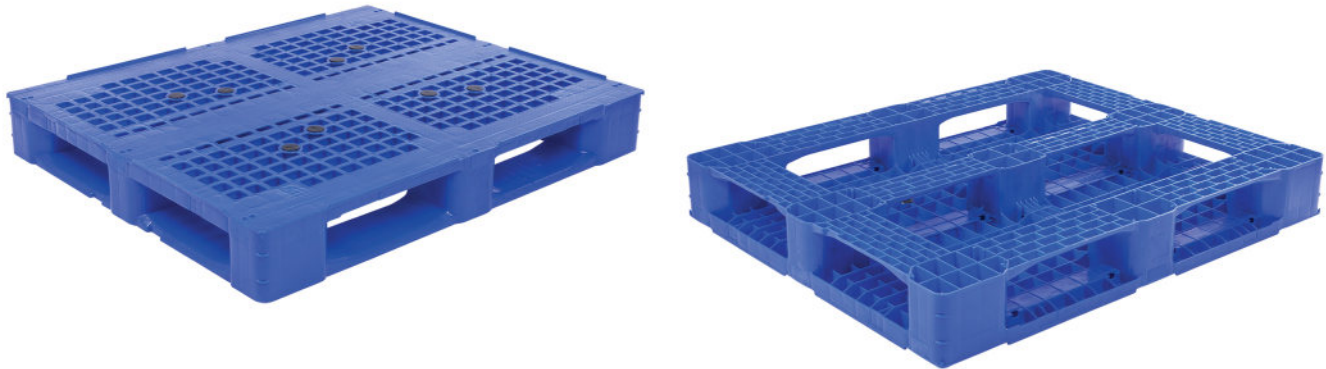
- Any standard RAL color
- Anti-slip strips option (2-4 Pcs)
- 7-22 mm safety rims
- Embossing logo
- Printing logo



All dimensions may vary ±5 mm due to the production process & raw material characteristics.

► IP4-5R

Industrial Plastic Pallet

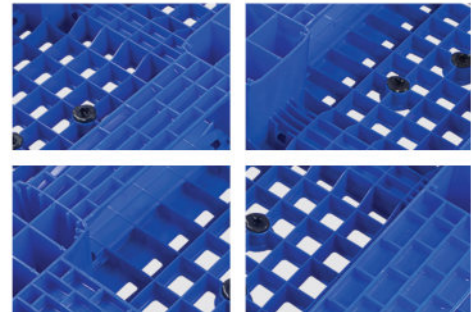


Specifications:

Material	Virgin HDPE Inj. grade + UV Stabilizer
Dimension	1200 x 1000 x 157 mm (±5 mm)
Static Load	6000 Kg
Dynamic Load	1500 Kg
Racking Load	700 Kg
Pallet Weight	15.5 Kg (±3%)
40' HC Cntr/88 m ³ TRK Capacity	364 / 428 Pcs

The load capacities are based on evenly distributed loads.

More details:

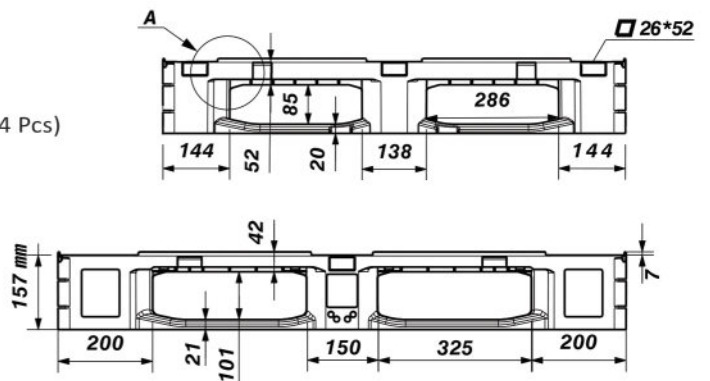


Properties:

- Single surface
- Ventilated decks
- 7 mm safety rims
- Anti-slip rubber plugs
- 5 skid runners
- 4-way entry
- Forklift / Hand-jack compatible
- One shot
- Stackable

Customization:

- Any standard RAL color
- Anti-slip strips option (2-4 Pcs)
- 3 reinforcement profiles
- 7-22 mm safety rims
- Embossing logo
- Printing logo



All dimensions may vary ±5 mm due to the production process & raw material characteristics.

► IP4-5R-3P (Parallel Reinforced)

Industrial Plastic Pallet

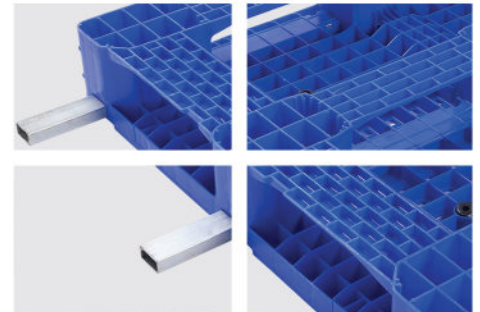


Specifications:

Material	Virgin HDPE Inj. grade + UV Stabilizer
Dimension	1200 x 1000 x 157 mm (±5 mm)
Static Load	6000 Kg
Dynamic Load	1750 Kg
Racking Load	1500 Kg
Pallet Weight	22 Kg (±3%)
40' HC Cntr/88 m ³ TRK Capacity	364 / 428 Pcs

The load capacities are based on evenly distributed loads.

More details:

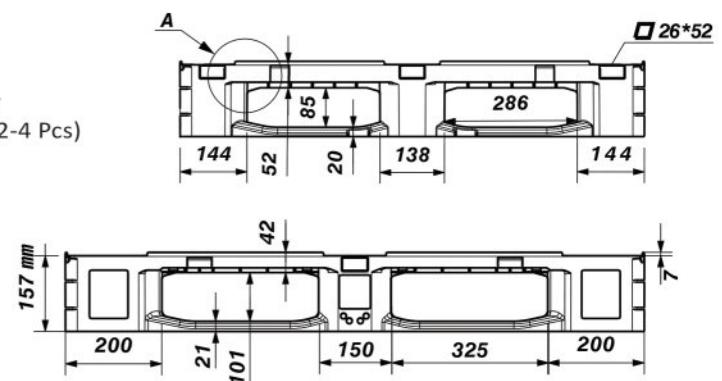


Properties:

- Single surface
- Ventilated decks
- 3 reinforcement parallel profiles
- 7 mm safety rims
- Anti-slip rubber plugs
- 5 skid runners
- 4-way entry
- Forklift / Hand-jack compatible
- One shot
- Stackable

Customization:

- Any standard RAL color
- Anti-slip strips option (2-4 Pcs)
- 7-22 mm safety rims
- Embossing logo
- Printing logo



All dimensions may vary ±5 mm due to the production process & raw material characteristics.

► IP4-5R-3P (H-type Reinforced)

Industrial Plastic Pallet

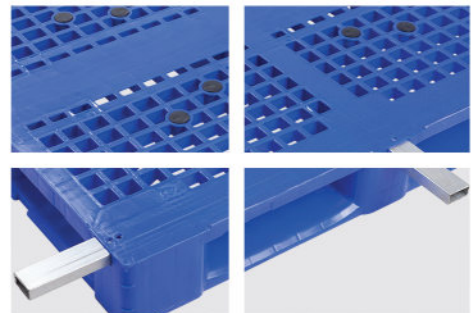


Specifications:

Material	Virgin HDPE Inj. grade + UV Stabilizer
Dimension	1200 x 1000 x 157 mm (±5 mm)
Static Load	6000 Kg
Dynamic Load	2000 Kg
Racking Load	1000 Kg
Pallet Weight	21 Kg (±3%)
40' HC Cntr/88 m ³ TRK Capacity	364/ 428 Pcs

The load capacities are based on evenly distributed loads.

More details:

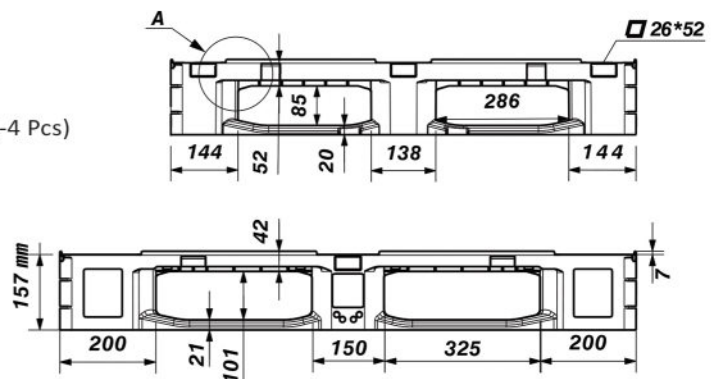


Properties:

- Single surface
- Ventilated decks
- 3 reinforcement H-type profiles
- 7 mm safety rims
- Anti-slip rubber plugs
- 5 skid runners
- 4-way entry
- Forklift / Hand-jack compatible
- One shot
- Stackable

Customization:

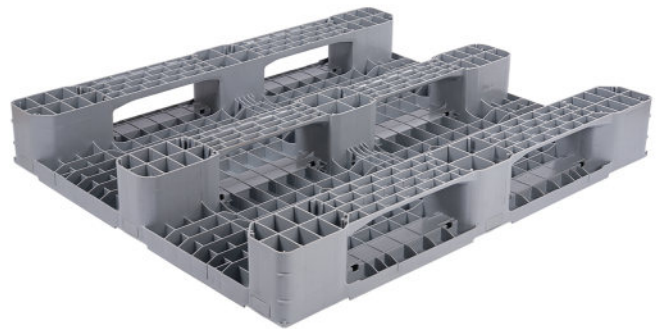
- Any standard RAL color
- Anti-slip strips option (2-4 Pcs)
- 7-22 mm safety rims
- Embossing logo
- Printing logo



All dimensions may vary ±5 mm due to the production process & raw material characteristics.

► IP5-3R

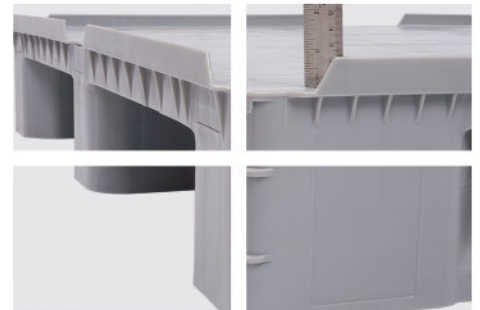
Industrial Plastic Pallet



Specifications:

Material	Virgin HDPE Inj. grade + UV Stabilizer
Dimension	1200 x 1000 x 157 mm (±5 mm)
Static Load	5000 Kg
Dynamic Load	1200 Kg
Racking Load	600 Kg
Pallet Weight	15.5 Kg (±3%)
40' HC Cntr/88 m ³ TRK Capacity	473 / 520 Pcs

More details:



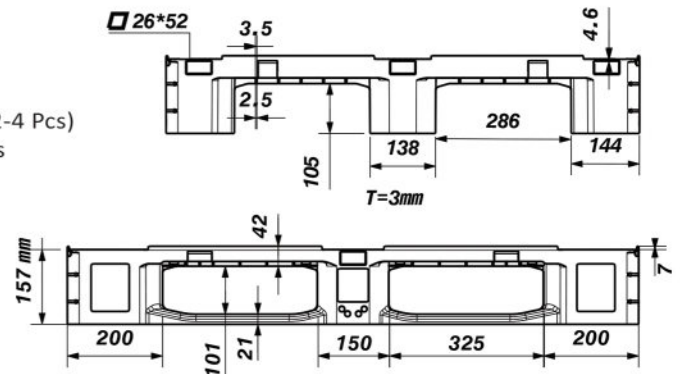
The load capacities are based on evenly distributed loads.

Properties:

- Single surface
- Closed top surface
- 7 mm safety rims
- 3 skid runners
- 4-way entry
- Forklift / Hand-jack compatible
- One shot
- Stackable

Customization:

- Any standard RAL color
- Anti-slip strips option (2-4 Pcs)
- 3 reinforcement profiles
- 7-22 mm safety rims
- Embossing logo
- Printing logo



All dimensions may vary ±5 mm due to the production process & raw material characteristics.

► IP5-3R-3P (Parallel Reinforced)

Industrial Plastic Pallet

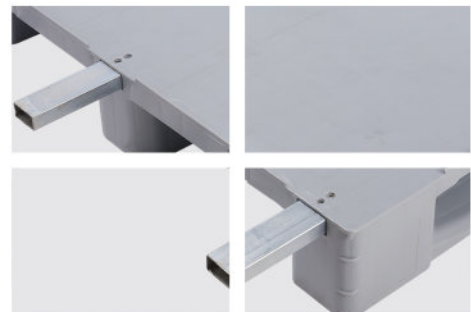


Specifications:

Material	Virgin HDPE Inj. grade + UV Stabilizer
Dimension	1200 x 1000 x 157 mm (±5 mm)
Static Load	5000 Kg
Dynamic Load	1500 Kg
Racking Load	1500 Kg
Pallet Weight	22 Kg (±3%)
40' HC Cntr/88 m ³ TRK Capacity	473 / 520 Pcs

The load capacities are based on evenly distributed loads.

More details:

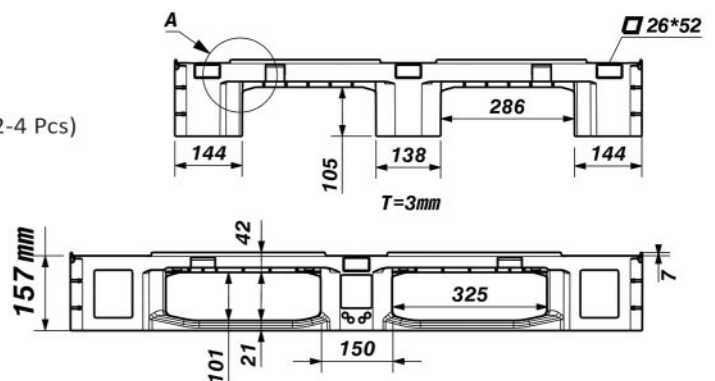


Properties:

- Single surface
- Closed top surface
- 3 reinforcement parallel profiles
- 7 mm safety rims
- 3 skid runners
- 4-way entry
- Forklift / Hand-jack compatible
- One shot
- Stackable

Customization:

- Any standard RAL color
- Anti-slip strips option (2-4 Pcs)
- 7-22 mm safety rims
- Embossing logo
- Printing logo



All dimensions may vary ±5 mm due to the production process & raw material characteristics.

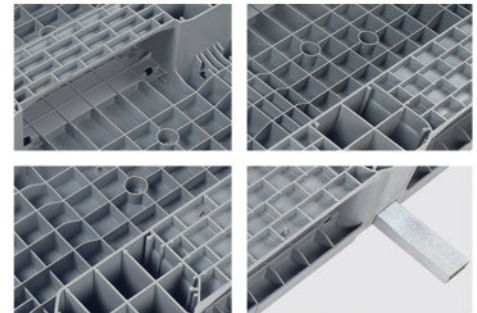
► IP5-3R-3P (H-type Reinforced) Industrial Plastic Pallet



Specifications:

Material	Virgin HDPE Inj. grade + UV Stabilizer
Dimension	1200 x 1000 x 157 mm (±5 mm)
Static Load	5000 Kg
Dynamic Load	1750 Kg
Racking Load	1000 Kg
Pallet Weight	21 Kg (±3%)
40' HC Cntr/88 m ³ TRK Capacity	473 / 520 Pcs

More details:



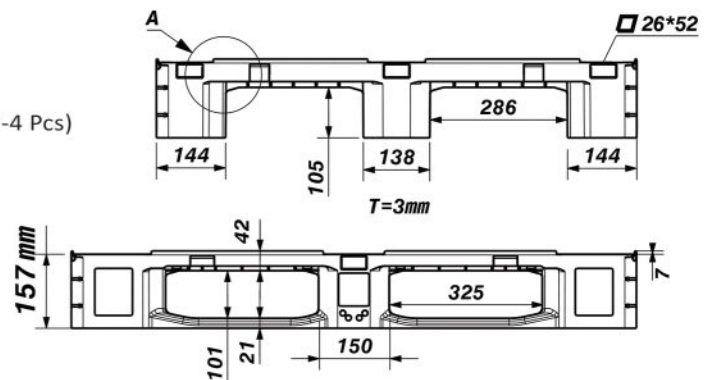
The load capacities are based on evenly distributed loads.

Properties:

- Single surface
- Closed top surface
- 3 reinforcement H-type profiles
- 7 mm safety rims
- 3 skid runners
- 4-way entry
- Forklift / Hand-jack compatible
- One shot
- Stackable

Customization:

- Any standard RAL color
- Anti-slip strips option (2-4 Pcs)
- 7-22 mm safety rims
- Embossing logo
- Printing logo



All dimensions may vary ±5 mm due to the production process & raw material characteristics.

► IP5-5R

Industrial Plastic Pallet

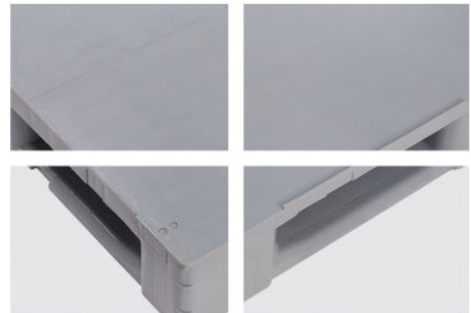


Specifications:

Material	Virgin HDPE Inj. grade + UV Stabilizer
Dimension	1200 x 1000 x 157 mm (±5 mm)
Static Load	6000 Kg
Dynamic Load	1350 Kg
Racking Load	700 Kg
Pallet Weight	16.5 Kg (±3%)
40' HC Cntr/88 m ³ TRK Capacity	364 / 428 Pcs

The load capacities are based on evenly distributed loads.

More details:

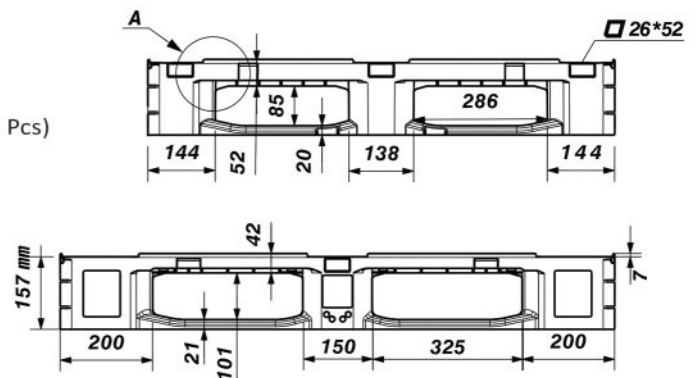


Properties:

- Single surface
- Closed top surface
- 7 mm safety rims
- 5 skid runners
- 4-way entry
- Forklift / Hand-jack compatible
- One shot
- Stackable

Customization:

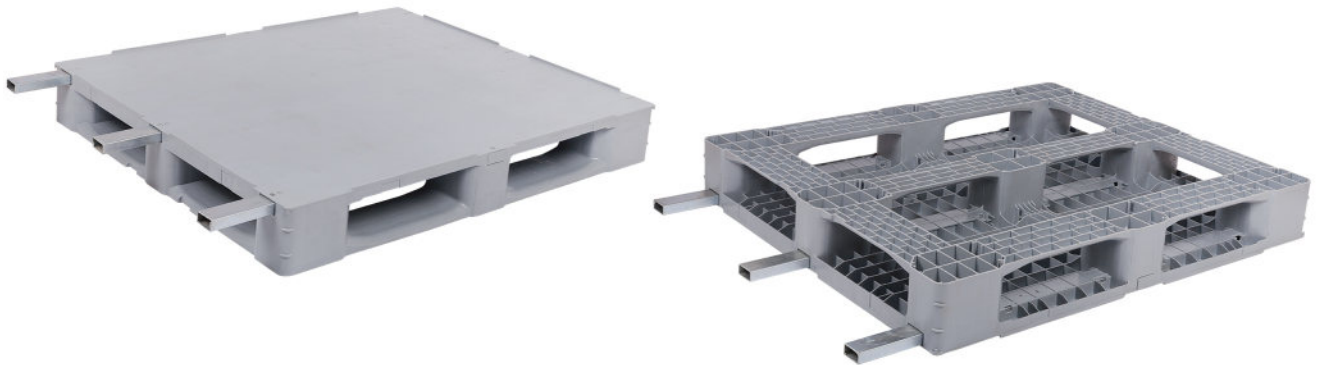
- Any standard RAL color
- Anti-slip strips option (2-4 Pcs)
- 3 reinforcement profiles
- 7-22 mm safety rims
- Embossing logo
- Printing logo



All dimensions may vary ±5 mm due to the production process & raw material characteristics.

► IP5-5R-3P (Parallel profiles)

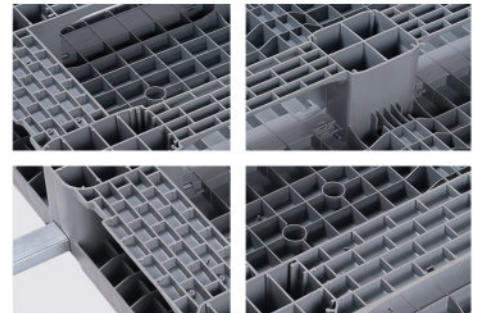
Industrial Plastic Pallet



Specifications:

Material	Virgin HDPE Inj. grade + UV Stabilizer
Dimension	1200 x 1000 x 157 mm (±5 mm)
Static Load	6000 Kg
Dynamic Load	1750 Kg
Racking Load	1500 Kg
Pallet Weight	23 Kg (±3%)
40' HC Cntr/88 m ³ TRK Capacity	364 / 428 Pcs

More details:



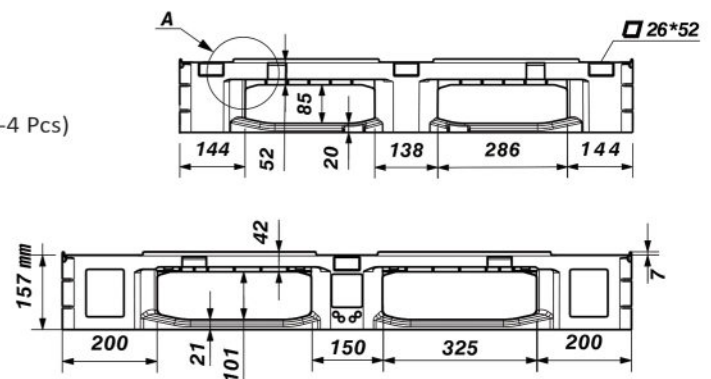
The load capacities are based on evenly distributed loads.

Properties:

- Single surface
- Closed top surface
- 3 reinforcement parallel profiles
- 7 mm safety rims
- 5 skid runners
- 4-way entry
- Forklift / Hand-jack compatible
- One shot
- Stackable

Customization:

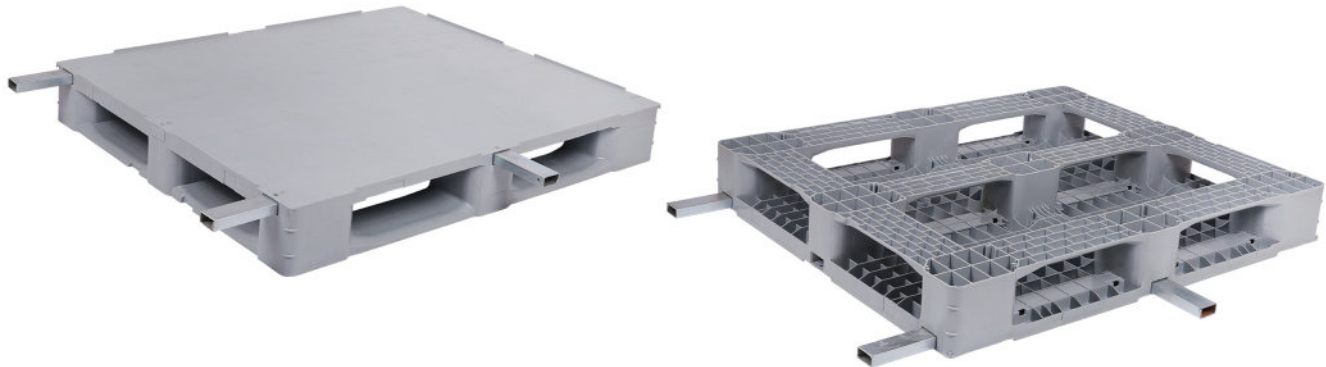
- Any standard RAL color
- Anti-slip strips option (2-4 Pcs)
- 7-22 mm safety rims
- Embossing logo
- Printing logo



All dimensions may vary ±5 mm due to the production process & raw material characteristics.

► IP5-5R-3P (H-type profiles)

Industrial Plastic Pallet



Specifications:

Material	Virgin HDPE Inj. grade + UV Stabilizer
Dimension	1200 x 1000 x 157 mm (±5 mm)
Static Load	6000 Kg
Dynamic Load	2000 Kg
Racking Load	1000 Kg
Pallet Weight	22 Kg (±3%)
40' HC Cntr/88 m ³ TRK Capacity	364 / 428 Pcs

The load capacities are based on evenly distributed loads.

More details:

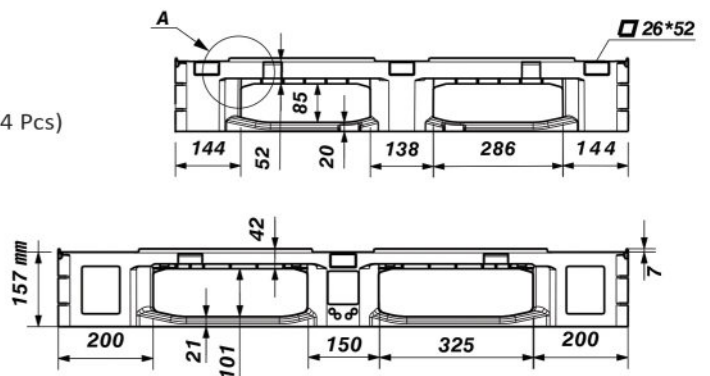


Properties:

- Single surface
- Closed top surface
- 3 reinforcement H-type profiles
- 7 mm safety rims
- 5 skid runners
- 4-way entry
- Forklift / Hand-jack compatible
- One shot
- Stackable

Customization:

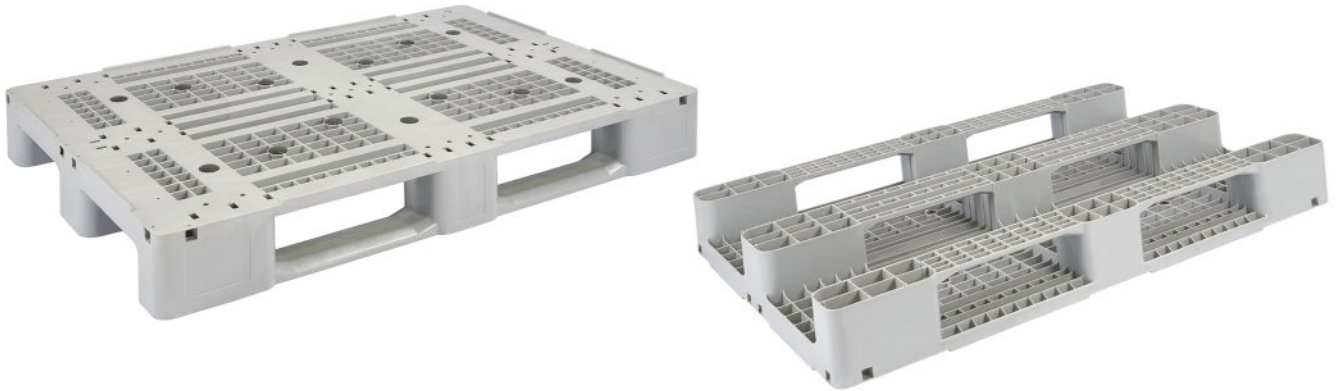
- Any standard RAL color
- Anti-slip strips option (2-4 Pcs)
- 7-22 mm safety rims
- Embossing logo
- Printing logo



All dimensions may vary ±5 mm due to the production process & raw material characteristics.

▶ ES1

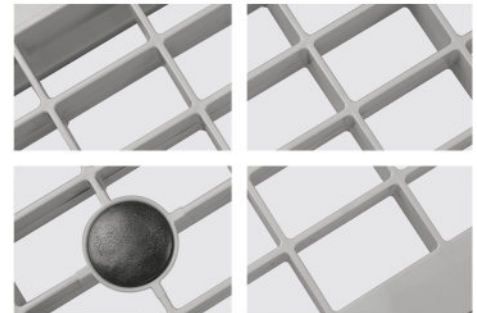
Industrial Plastic Pallet



Specifications:

Material	Virgin HDPE Inj. grade + UV Stabilizer
Dimension	1200 x 800 x 150 mm (±5 mm)
Static Load	4000 Kg
Dynamic Load	1000 Kg
Racking Load	400 Kg
Pallet Weight	12 Kg (±3%)
40' HC Cntr/88 m ³ TRK Capacity	550 / 700 Pcs

More details:



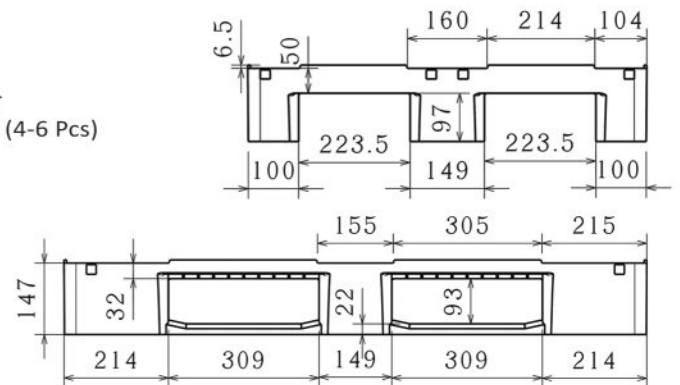
The load capacities are based on evenly distributed loads.

Properties:

- Single surface
- Ventilated decks
- 7 mm safety rims
- Anti-slip rubber plugs
- 3 skid runners
- 4-way entry
- Forklift / Hand-jack compatible
- One shot
- Stackable

Customization:

- Any standard RAL color
- Reinforcement profiles (4-6 Pcs)
- Safety rims
- Embossing logo
- Printing logo



All dimensions may vary ±5 mm due to the production process & raw material characteristics.

▶ ES1-4P

Industrial Plastic Pallet (Reinforced)

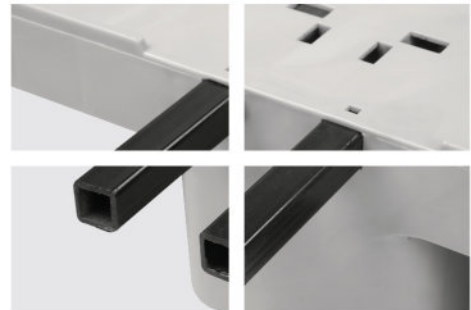


Specifications:

Material	Virgin HDPE Inj. grade + UV Stabilizer
Dimension	1200 x 800 x 150 mm (±5 mm)
Static Load	5000 Kg
Dynamic Load	1500 Kg
Racking Load	1250 Kg
Pallet Weight	16.5 Kg (±3%)
40' HC Cntr/88 m ³ TRK Capacity	550 / 700 Pcs

The load capacities are based on evenly distributed loads.

More details:

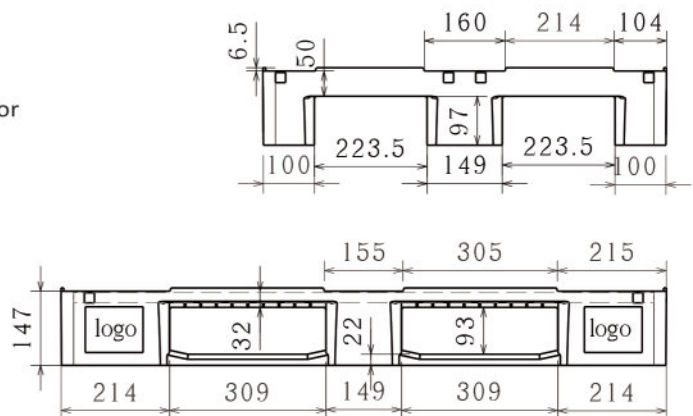


Properties:

- Single surface
- Ventilated decks
- 4 reinforcement profiles
- 7 mm safety rims
- Anti-slip rubber plugs
- 3 skid runners
- 4-way entry
- Forklift / Hand-jack compatible
- One shot
- Stackable

Customization:

- Any standard RAL color
- Safety rims
- Embossing logo
- Printing logo



All dimensions may vary ±5 mm due to the production process & raw material characteristics.

► ES1-6P

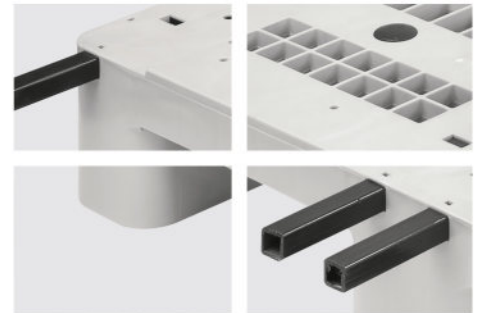
Industrial Plastic Pallet (Reinforced)



Specifications:

Material	Virgin HDPE Inj. grade + UV Stabilizer
Dimension	1200 x 800 x 150 mm (±5 mm)
Static Load	5000 Kg
Dynamic Load	1750 Kg
Racking Load	1500 Kg
Pallet Weight	18.5 Kg (±3%)
40' HC Cntr/88 m ³ TRK Capacity	550 / 700 Pcs

More details:



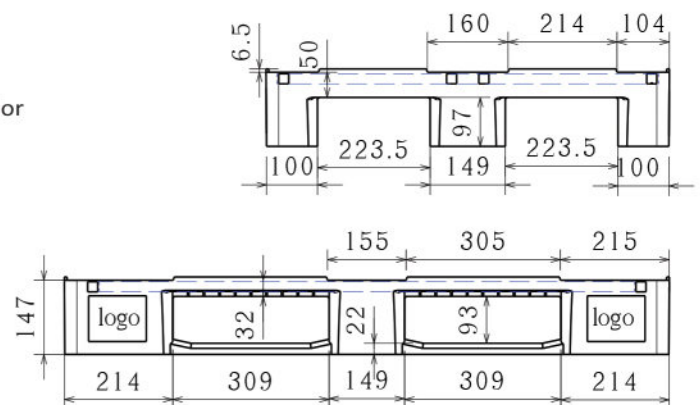
The load capacities are based on evenly distributed loads.

Properties:

- Single surface
- Ventilated decks
- 6 reinforcement profiles
- 7 mm safety rims
- Anti-slip rubber plugs
- 3 skid runners
- 4-way entry
- Forklift / Hand-jack compatible
- One shot
- Stackable

Customization:

- Any standard RAL color
- Safety rims
- Embossing logo
- Printing logo



All dimensions may vary ±5 mm due to the production process & raw material characteristics.

▶ ES2

Industrial Plastic Pallet

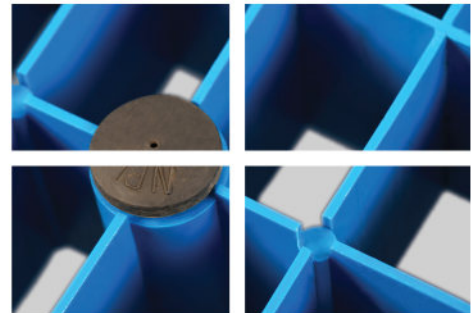


Specifications:

Material	Virgin HDPE Inj. grade + UV Stabilizer
Dimension	1200 x 800 x 170 mm (±5 mm)
Static Load	4000 Kg
Dynamic Load	1000 Kg
Racking Load	500 Kg
Pallet Weight	13.5 Kg (±3%)
40' HC Cntr/88 m ³ TRK Capacity	470 / 580 Pcs

The load capacities are based on evenly distributed loads.

More details:

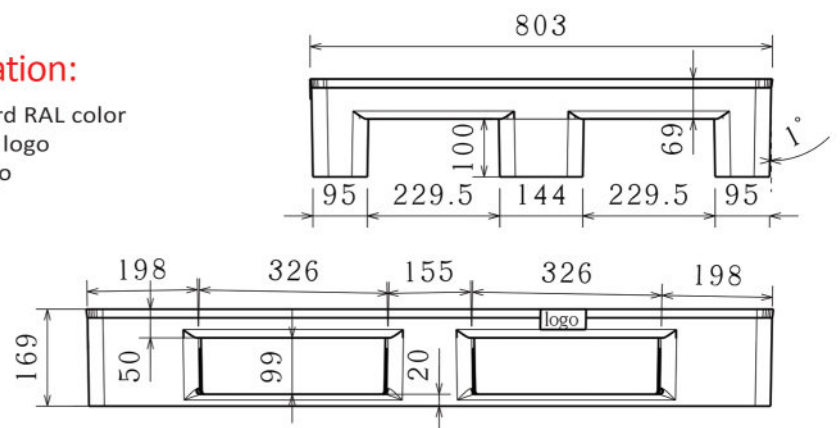


Properties:

- Single surface
- Ventilated decks
- Anti-slip rubber plugs
- 3 skid runners
- 4-way entry
- Forklift / Hand-jack compatible
- One shot
- Stackable

Customization:

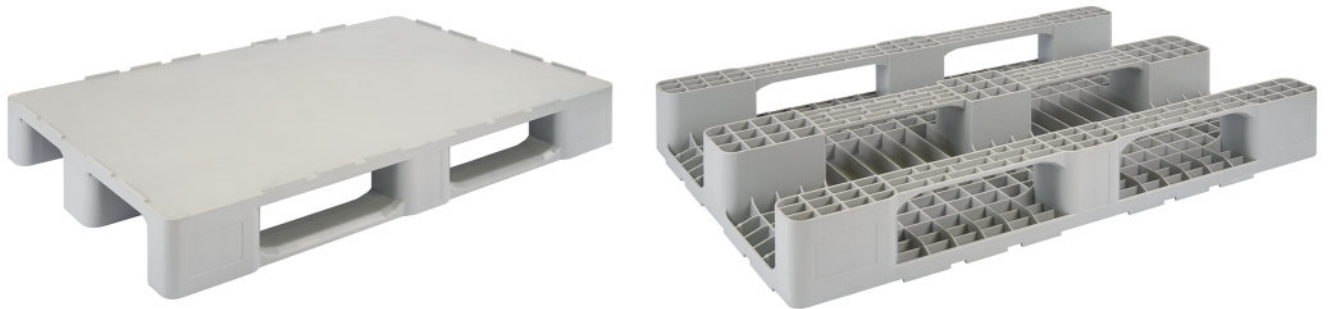
- Any standard RAL color
- Embossing logo
- Printing logo



All dimensions may vary ±5 mm due to the production process & raw material characteristics.

▶ ES3

Semi-Hygienic Plastic Pallet



Specifications:

Material	Virgin HDPE Inj. grade + UV Stabilizer
Dimension	1200 x 800 x 155 mm (±5 mm)
Static Load	5000 Kg
Dynamic Load	1250 Kg
Racking Load	500 Kg
Pallet Weight	14 Kg (±3%)
40' HC Cntr/88 m ³ TRK Capacity	550 / 682 Pcs

More details:



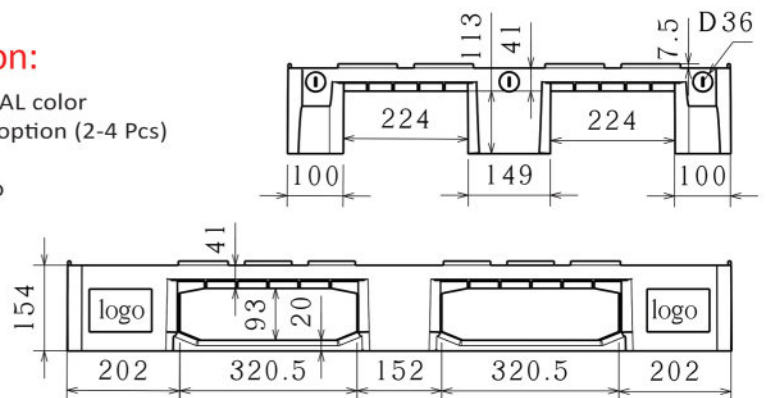
The load capacities are based on evenly distributed loads.

Properties:

- Single surface
- Closed solid top deck
- 7 mm Safety rims
- 3 skid runners
- 4-way entry
- Forklift / Hand-jack compatible
- One shot
- Stackable

Customization:

- Any standard RAL color
- Anti-slip strips option (2-4 Pcs)
- Safety rims
- Embossing logo
- Printing logo



All dimensions may vary ±5 mm due to the production process & raw material characteristics.

▶ ES4

Industrial Plastic Pallet

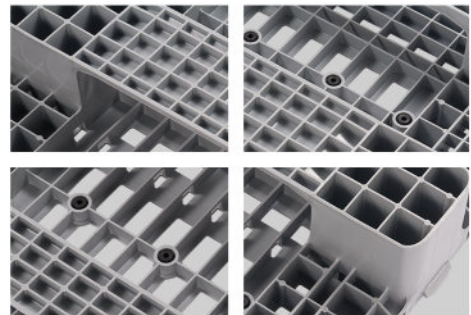


Specifications:

Material	Virgin HDPE Inj. grade + UV Stabilizer
Dimension	1200 x 800 x 143 mm (±5 mm)
Static Load	5000 Kg
Dynamic Load	1000 Kg
Racking Load	400 Kg
Pallet Weight	12.2 Kg (±3%)
40' HC Cntr/88 m ³ TRK Capacity	550 / 700 Pcs

The load capacities are based on evenly distributed loads.

More details:

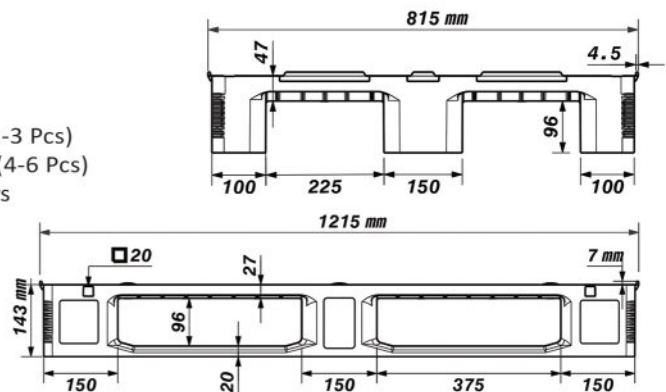


Properties:

- Single surface
- Ventilated decks
- 7 mm external safety rims
- Anti-slip rubber plugs
- 3 skid runners
- 4-way entry
- Forklift / Hand-jack compatible
- One shot
- Stackable

Customization:

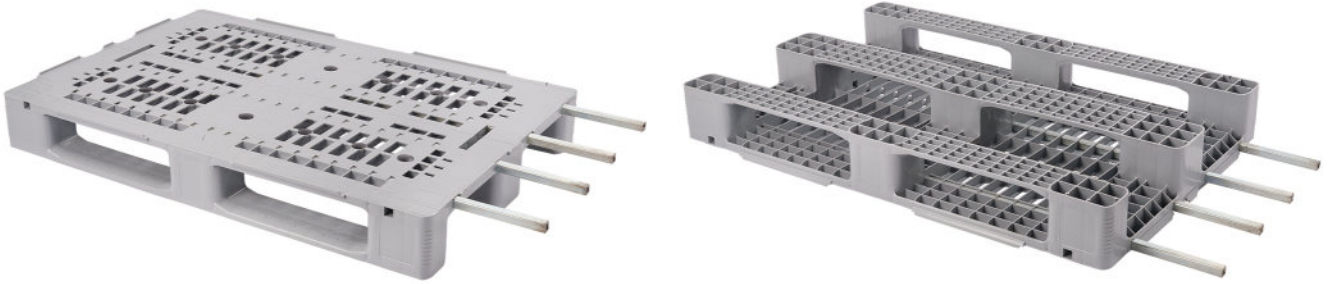
- Any standard RAL color
- Anti-slip strips option (2-3 Pcs)
- Reinforcement profiles (4-6 Pcs)
- Closed solid skid runners
- Safety rims
- Embossing logo
- Printing logo



All dimensions may vary ±5 mm due to the production process & raw material characteristics.

► ES4-4P

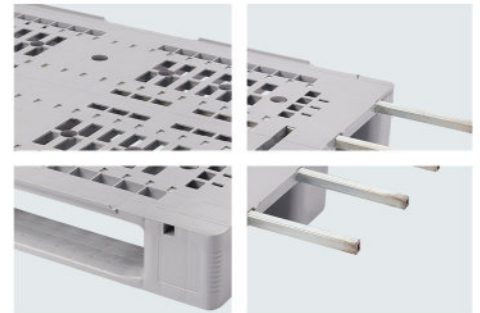
Industrial Plastic Pallet (Reinforced)



Specifications:

Material	Virgin HDPE Inj. grade + UV Stabilizer
Dimension	1200 x 800 x 143 mm (±5 mm)
Static Load	5000 Kg
Dynamic Load	1250 Kg
Racking Load	1000 Kg
Pallet Weight	16.7 Kg (±3%)
40' HC Cntr/88 m ³ TRK Capacity	550 / 700 Pcs

More details:



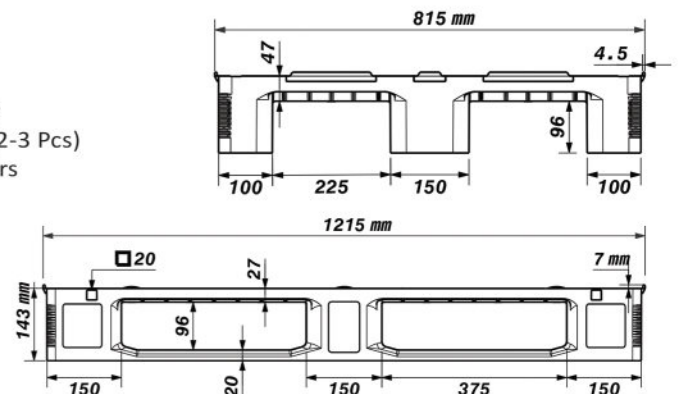
The load capacities are based on evenly distributed loads.

Properties:

- Single surface
- Ventilated decks
- 7 mm external safety rims
- Anti-slip rubber plugs
- 3 skid runners
- 4 reinforcement profiles
- 4-way entry
- Forklift / Hand-jack compatible
- One shot
- Stackable

Customization:

- Any standard RAL color
- Anti-slip strips option (2-3 Pcs)
- Closed solid skid runners
- Safety rims
- Embossing logo
- Printing logo



All dimensions may vary ±5 mm due to the production process & raw material characteristics.

▶ ES4-6P

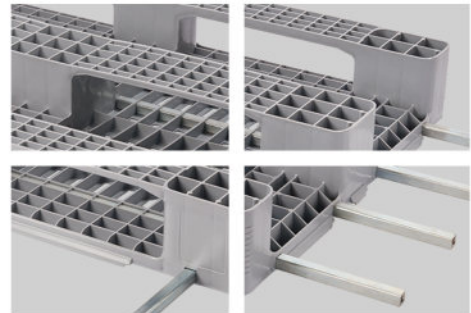
Industrial Plastic Pallet (Reinforced)



Specifications:

Material	Virgin HDPE Inj. grade + UV Stabilizer
Dimension	1200 x 800 x 143 mm (±5 mm)
Static Load	5000 Kg
Dynamic Load	1250 Kg
Racking Load	1250 Kg
Pallet Weight	18.7 Kg (±3%)
40' HC Cntr/88 m ³ TRK Capacity	550 / 700 Pcs

More details:



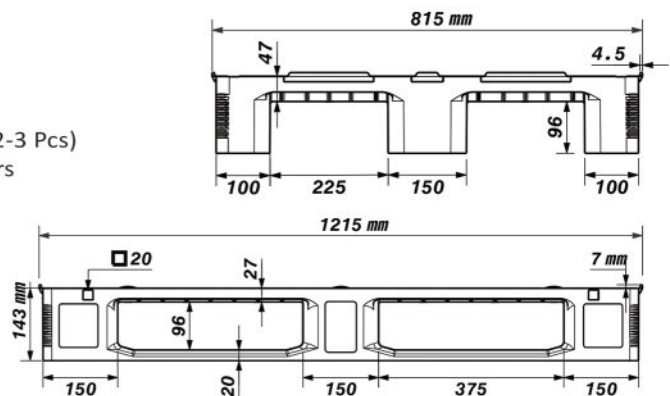
The load capacities are based on evenly distributed loads.

Properties:

- Single surface
- Ventilated decks
- 7 mm external safety rims
- Anti-slip rubber plugs
- 3 skid runners
- 6 reinforcement profiles
- 4-way entry
- Forklift / Hand-jack compatible
- One shot
- Stackable

Customization:

- Any standard RAL color
- Anti-slip strips option (2-3 Pcs)
- Closed solid skid runners
- Safety rims
- Embossing logo
- Printing logo



All dimensions may vary ±5 mm due to the production process & raw material characteristics.

▶ ES4-CR

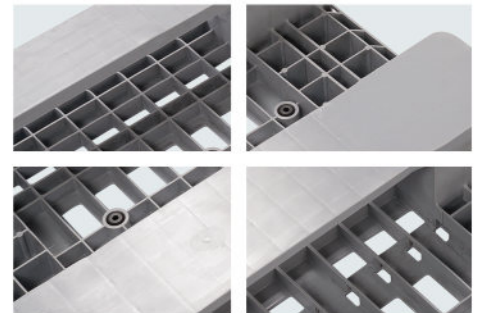
Industrial Plastic Pallet



Specifications:

Material	Virgin HDPE Inj. grade + UV Stabilizer
Dimension	1200 x 800 x 145 mm (±5 mm)
Static Load	5000 Kg
Dynamic Load	1000 Kg
Racking Load	400 Kg
Pallet Weight	13.6 Kg (±3%)
40' HC Cntr/88 m ³ TRK Capacity	550 / 700 Pcs

More details:



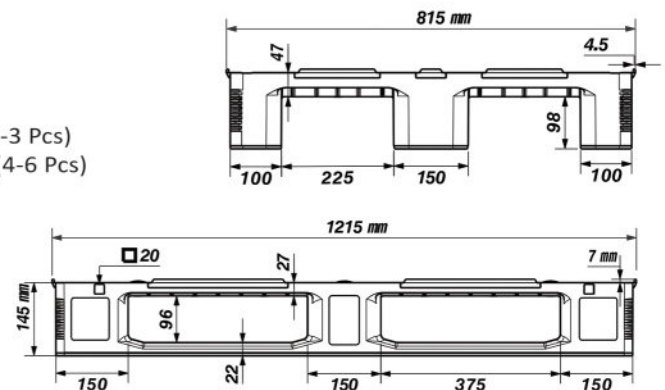
The load capacities are based on evenly distributed loads.

Properties:

- Single surface
- Ventilated decks
- 7 mm external safety rims
- Anti-slip rubber plugs
- 3 closed solid skid runners
- 4-way entry
- Forklift / Hand-jack compatible
- One shot
- Stackable

Customization:

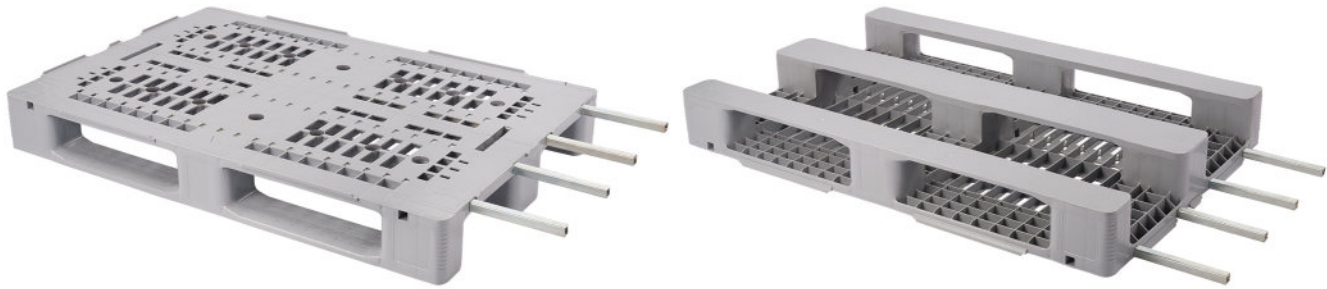
- Any standard RAL color
- Anti-slip strips option (2-3 Pcs)
- Reinforcement profiles (4-6 Pcs)
- Safety rims
- Embossing logo
- Printing logo



All dimensions may vary ±5 mm due to the production process & raw material characteristics.

▶ ES4-CR-4P

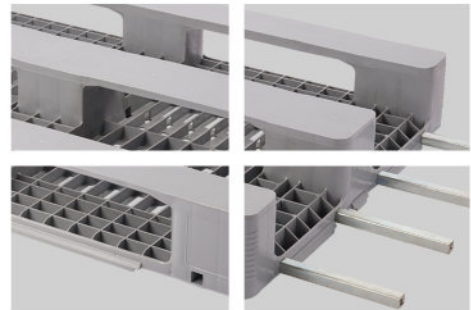
Industrial Plastic Pallet (Reinforced)



Specifications:

Material	Virgin HDPE Inj. grade + UV Stabilizer
Dimension	1200 x 800 x 145 mm (±5 mm)
Static Load	5000 Kg
Dynamic Load	1250 Kg
Racking Load	1000 Kg
Pallet Weight	18.1 Kg (±3%)
40' HC Cntr/88 m ³ TRK Capacity	550 / 700 Pcs

More details:



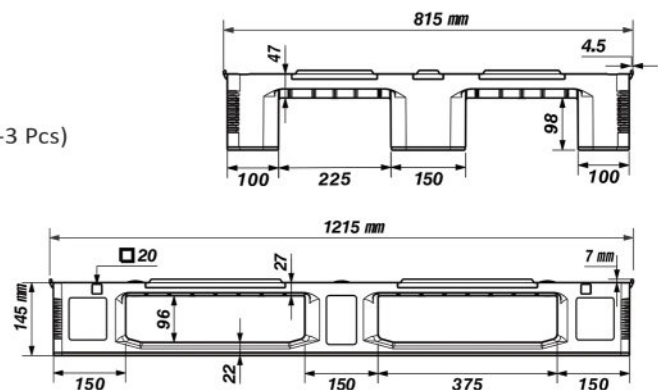
The load capacities are based on evenly distributed loads.

Properties:

- Single surface
- Ventilated decks
- 7 mm external safety rims
- Anti-slip rubber plugs
- 3 closed solid skid runners
- 4 reinforcement profiles
- 4-way entry
- Forklift / Hand-jack compatible
- One shot
- Stackable

Customization:

- Any standard RAL color
- Anti-slip strips option (2-3 Pcs)
- Safety rims
- Embossing logo
- Printing logo



All dimensions may vary ±5 mm due to the production process & raw material characteristics.

► ES4-CR-6P

Industrial Plastic Pallet (Reinforced)



Specifications:

Material	Virgin HDPE Inj. grade + UV Stabilizer
Dimension	1200 x 800 x 145 mm (±5 mm)
Static Load	5000 Kg
Dynamic Load	1250 Kg
Racking Load	1250 Kg
Pallet Weight	20.1 Kg (±3%)
40' HC Cntr/88 m ³ TRK Capacity	550 / 700 Pcs

More details:



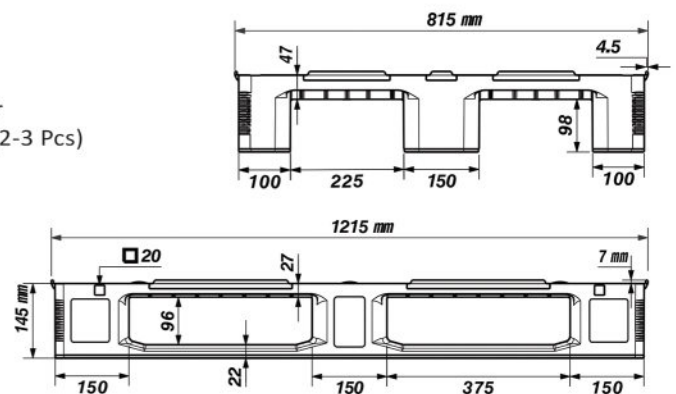
The load capacities are based on evenly distributed loads.

Properties:

- Single surface
- Ventilated decks
- 7 mm external safety rims
- Anti-slip rubber plugs
- 3 closed solid skid runners
- 6 reinforcement profiles
- 4-way entry
- Forklift / Hand-jack compatible
- One shot
- Stackable

Customization:

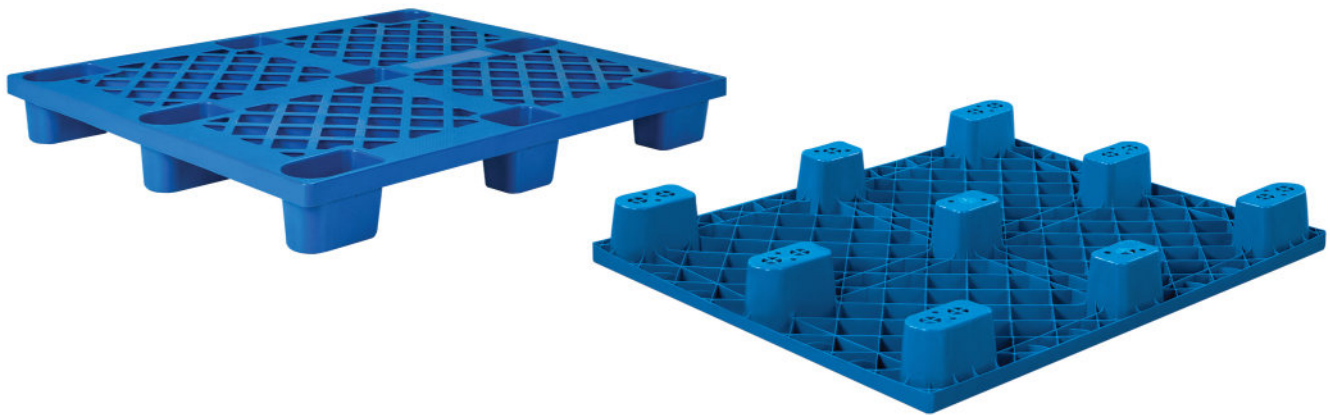
- Any standard RAL color
- Anti-slip strips option (2-3 Pcs)
- Safety rims
- Embossing logo
- Printing logo



All dimensions may vary ±5 mm due to the production process & raw material characteristics.

▶ NP1-9L

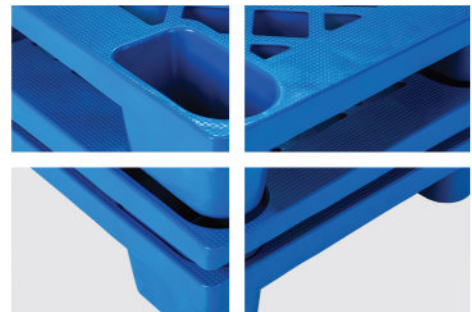
Industrial Plastic Pallet



Specifications:

Material	Virgin HDPE Inj. grade + UV Stabilizer
Dimension	1200 x 1000 x 140 mm (±5 mm)
Static Load	1400 Kg
Dynamic Load	700 Kg
Racking Load	x
Pallet Weight	6.5 Kg (±3%)
40' HC Cntr/88 m ³ TRK Capacity	1100 / 1300 Pcs

More details:



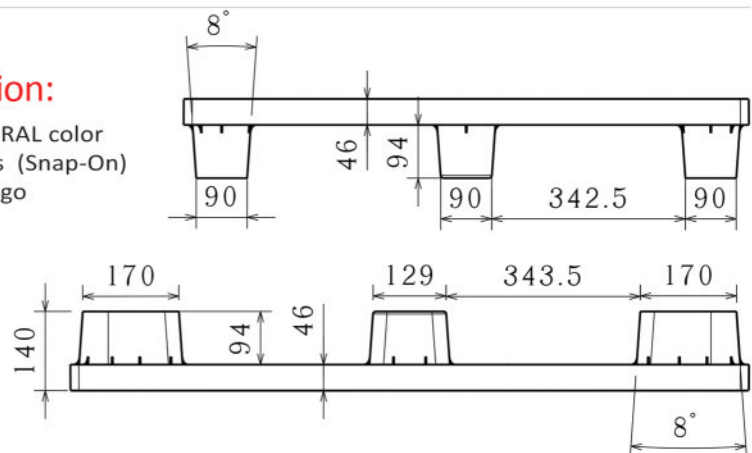
The load capacities are based on evenly distributed loads.

Properties:

- Single surface
- Ventilated decks
- 9 Legs
- 4-way entry
- Forklift / Hand-jack compatible
- Nestable
- One shot

Customization:

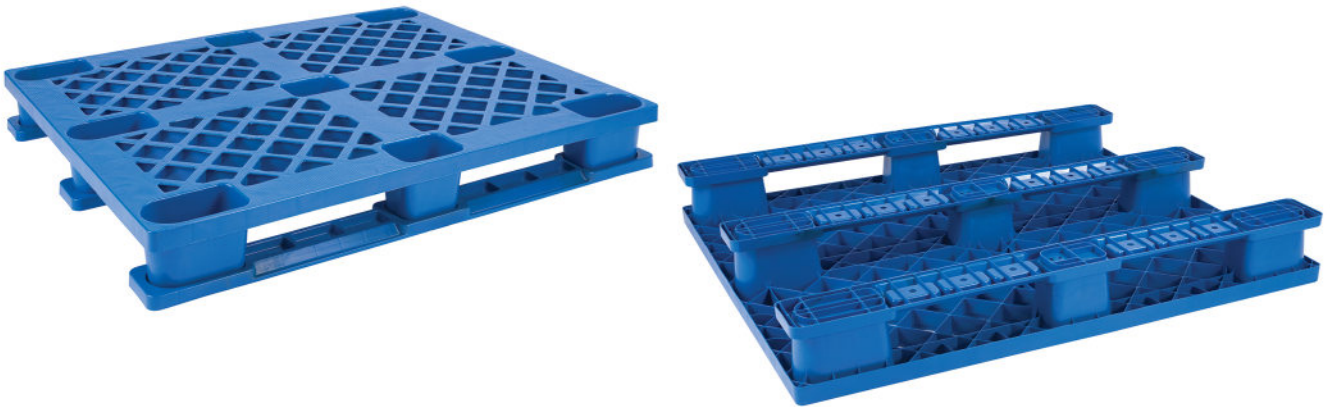
- Any standard RAL color
- 3 skid runners (Snap-On)
- Embossing logo
- Printing logo



All dimensions may vary ±5 mm due to the production process & raw material characteristics.

► NP1-3R

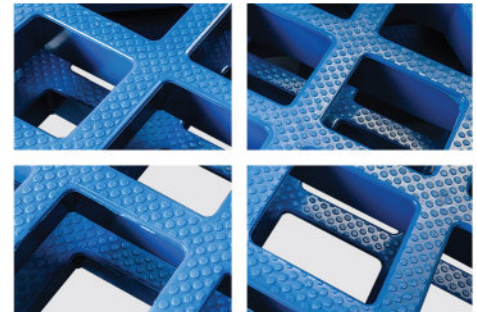
Industrial Plastic Pallet



Specifications:

Material	Virgin HDPE Inj. grade + UV Stabilizer
Dimension	1200 x 1000 x 155 mm (±5 mm)
Static Load	2000 Kg
Dynamic Load	1000 Kg
Racking Load	300 Kg
Pallet Weight	9 Kg (±3%)
40' HC Cntr/88 m ³ TRK Capacity	950 (CKD) / 1200 (CKD) Pcs

More details:



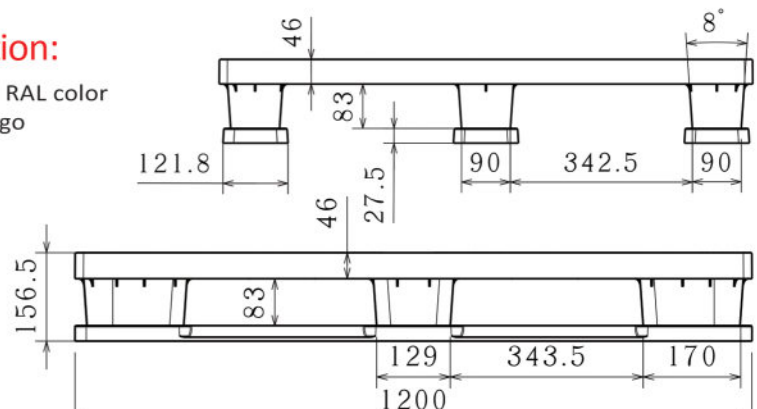
The load capacities are based on evenly distributed loads.

Properties:

- Single surface
- Ventilated decks
- 3 skid runners (snap-on)
- 4-way entry
- Forklift / Hand-jack compatible
- Nestable (CKD)
- One shot
- Stackable

Customization:

- Any standard RAL color
- Embossing logo
- Printing logo



All dimensions may vary ±5 mm due to the production process & raw material characteristics.

▶ NP2-9L

Industrial Plastic Pallet

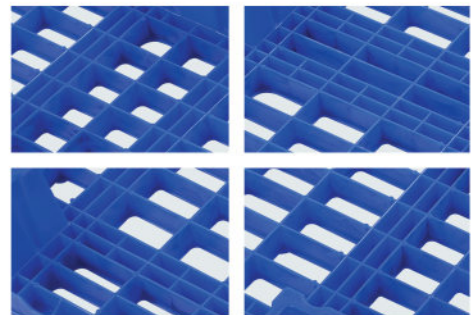


Specifications:

Material	Virgin HDPE Inj. grade + UV Stabilizer
Dimension	1200 x 1000 x 135 mm (±5 mm)
Static Load	2000 Kg
Dynamic Load	1250 Kg
Racking Load	X
Pallet Weight	7.2 Kg (±3%)
40' HC Cntr/88 m ³ TRK Capacity	1500 / 1820 Pcs

The load capacities are based on evenly distributed loads.

More details:

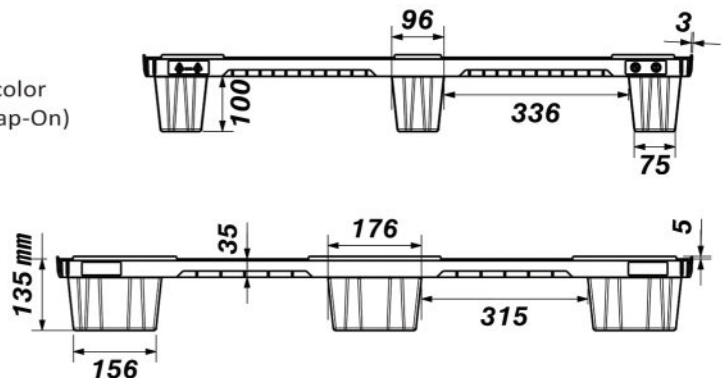


Properties:

- Single surface
- Ventilated decks
- 9 Legs
- 5 mm safety rims
- 4-way entry
- Forklift / Hand-jack compatible
- Nestable
- One shot

Customization:

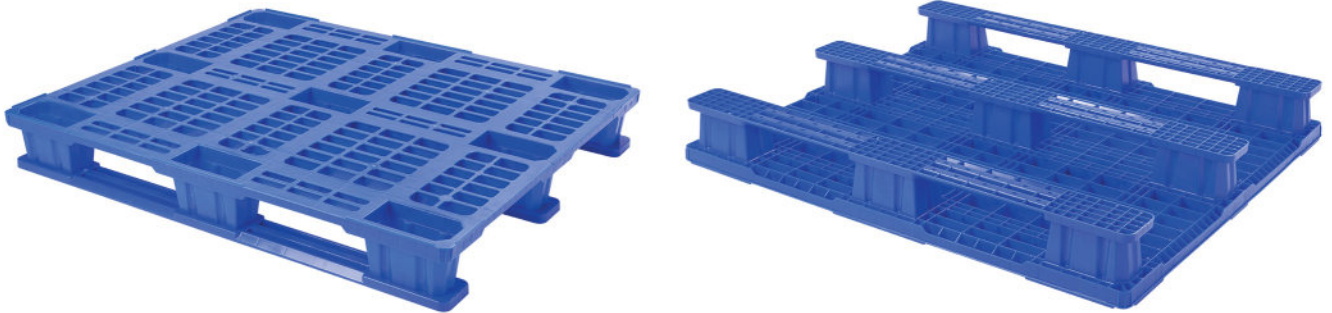
- Any standard RAL color
- 3 skid runners (Snap-On)
- Safety rims
- Embossing logo
- Printing logo



All dimensions may vary ±5 mm due to the production process & raw material characteristics.

► NP2-3R

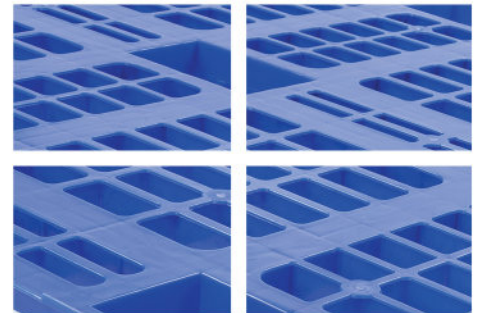
Industrial Plastic Pallet



Specifications:

Material	Virgin HDPE Inj. grade + UV Stabilizer
Dimension	1200 x 1000 x 145 mm (±5 mm)
Static Load	2500 Kg
Dynamic Load	1500 Kg
Racking Load	400 Kg
Pallet Weight	9.2 Kg (±3%)
40' HC Cntr/88 m ³ TRK Capacity	1260 / 1470 Pcs

More details:



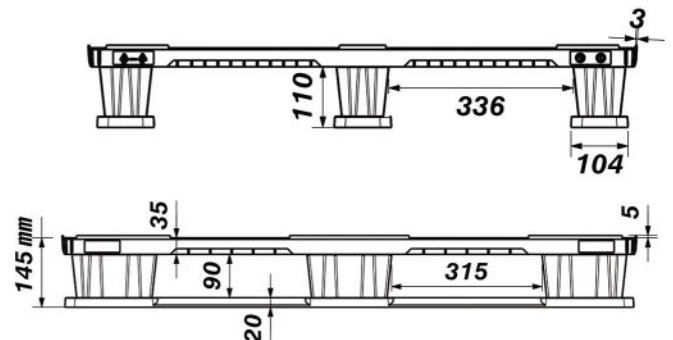
The load capacities are based on evenly distributed loads.

Properties:

- Single surface
- Ventilated decks
- 3 skid runners (Snap-On)
- 5 mm safety rims
- 4-way entry
- Forklift / Hand-jack compatible
- Nestable (CKD)
- One Shot
- Stackable

Customization:

- Any standard RAL color
- Safety rims
- Embossing logo
- Printing logo



All dimensions may vary ±5 mm due to the production process & raw material characteristics.

▶ NP3-9L

Industrial Plastic Pallet

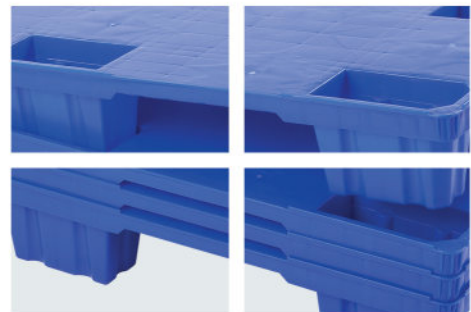


Specifications:

Material	Virgin HDPE Inj. grade + UV Stabilizer
Dimension	1200 x 1000 x 135 mm (±5 mm)
Static Load	2000 Kg
Dynamic Load	1500 Kg
Racking Load	X
Pallet Weight	8.2 Kg (±3%)
40' HC Cntr/88 m ³ TRK Capacity	1500 / 1820 Pcs

The load capacities are based on evenly distributed loads.

More details:

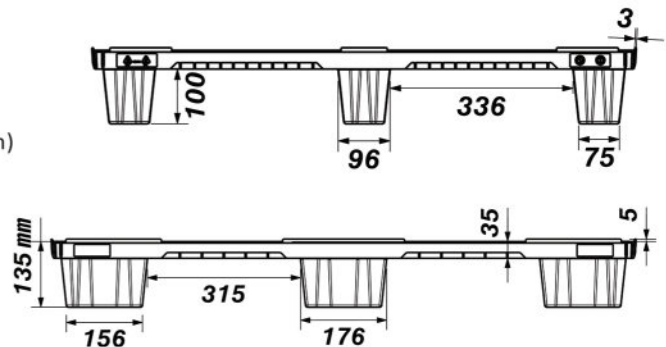


Properties:

- Single surface
- Closed top deck
- 9 Legs
- 5 mm safety rims
- 4-way entry
- Forklift / Hand-jack compatible
- Nestable
- One shot

Customization:

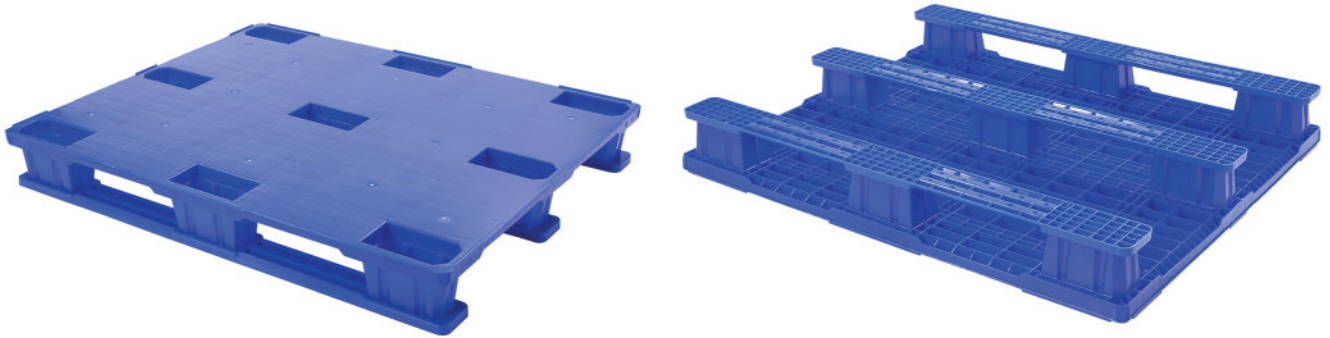
- Any standard RAL color
- Anti-slip strips option
- 3 skid runners (Snap-On)
- Safety rims
- Embossing logo
- Printing logo



All dimensions may vary ±5 mm due to the production process & raw material characteristics.

► NP3-3R

Industrial Plastic Pallet



Specifications:

Material	Virgin HDPE Inj. grade + UV Stabilizer
Dimension	1200 x 1000 x 145 mm (±5 mm)
Static Load	2500 Kg
Dynamic Load	1500 Kg
Racking Load	400 Kg
Pallet Weight	10.2 Kg (±3%)
40' HC Cntr/88 m ³ TRK Capacity	1260 / 1470 Pcs

More details:



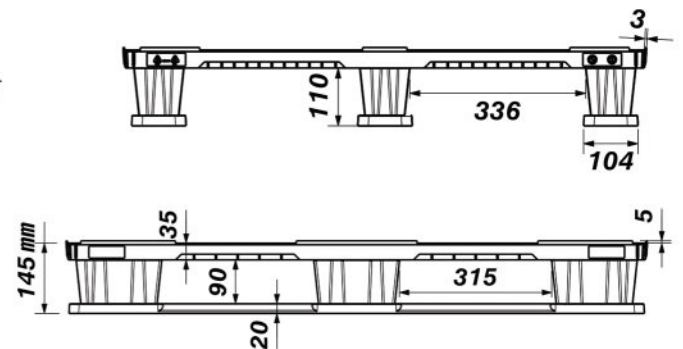
The load capacities are based on evenly distributed loads.

Properties:

- Single surface
- Closed top surface
- 3 skid runners (Snap-On)
- 5 mm safety rims
- 4-way entry
- Forklift / Hand-jack compatible
- Nestable (CKD)
- One Shot
- Stackable

Customization:

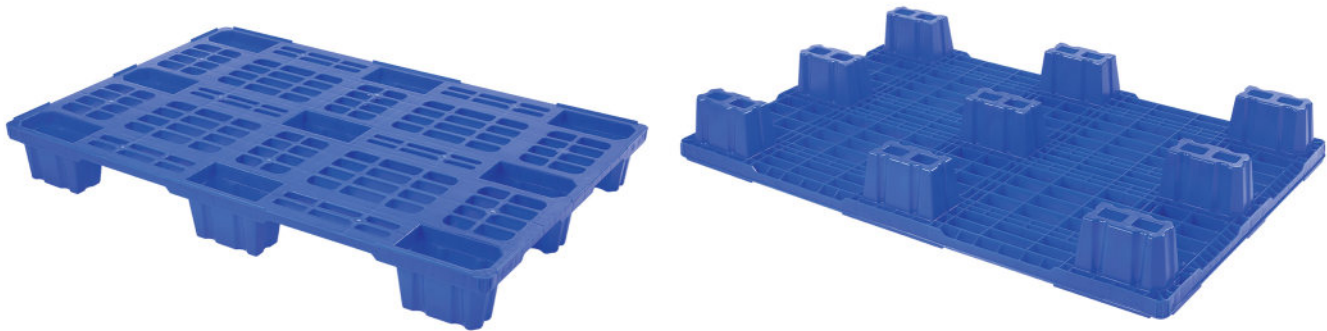
- Any standard RAL color
- Anti-slip strips option
- Safety rims
- Embossing logo
- Printing logo



All dimensions may vary ±5 mm due to the production process & raw material characteristics.

▶ NP4-9L

Industrial Plastic Pallet

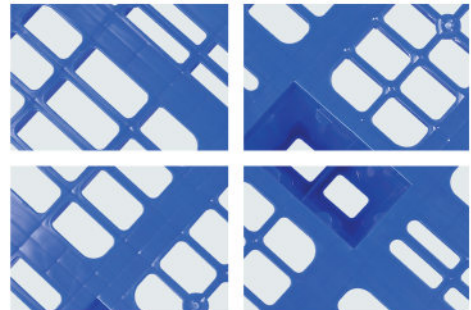


Specifications:

Material	Virgin HDPE Inj. grade + UV Stabilizer
Dimension	1200 x 800 x 135 mm (±5 mm)
Static Load	2000 Kg
Dynamic Load	1000 Kg
Racking Load	X
Pallet Weight	6 Kg (±3%)
40' HC Cntr/88 m ³ TRK Capacity	1760 / 2300 Pcs

The load capacities are based on evenly distributed loads.

More details:

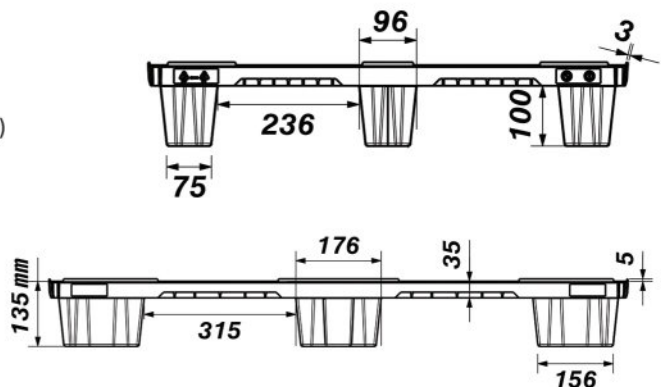


Properties:

- Single surface
- Ventilated decks
- 9 Legs
- 5 mm safety rims
- 4-way entry
- Forklift / Hand-jack compatible
- Nestable
- One shot

Customization:

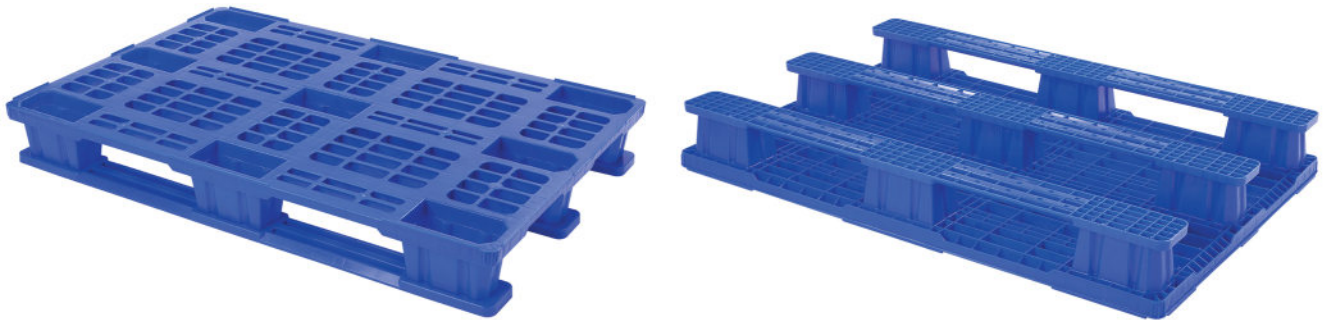
- Any standard RAL color
- 3 skid runners (Snap-On)
- Safety rims
- Embossing logo
- Printing logo



All dimensions may vary ±5 mm due to the production process & raw material characteristics.

► NP4-3R

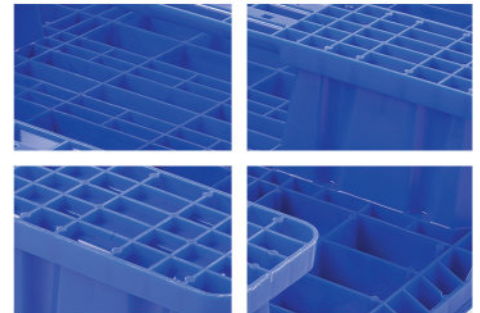
Industrial Plastic Pallet



Specifications:

Material	Virgin HDPE Inj. grade + UV Stabilizer
Dimension	1200 x 800 x 145 mm (±5 mm)
Static Load	2000 Kg
Dynamic Load	1200 Kg
Racking Load	400 Kg
Pallet Weight	8 Kg (±3%)
40' HC Cntr/88 m ³ TRK Capacity	1410 / 1820 Pcs

More details:



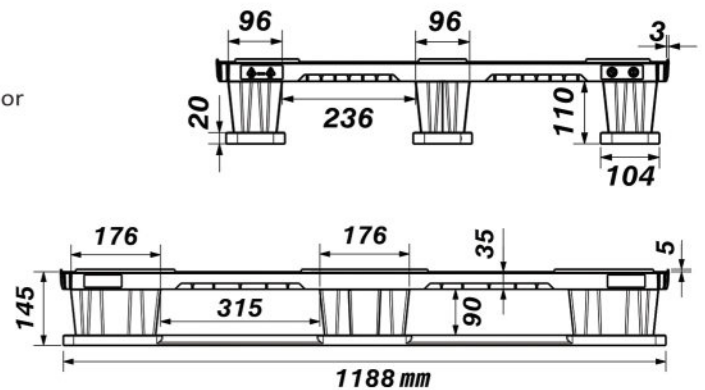
The load capacities are based on evenly distributed loads.

Properties:

- Single surface
- Ventilated decks
- 3 skid runners (Snap-On)
- 5 mm safety rims
- 4-way entry
- Forklift / Hand-jack compatible
- Nestable (CKD)
- One Shot
- Stackable

Customization:

- Any standard RAL color
- Safety rims
- Embossing logo
- Printing logo



All dimensions may vary ±5 mm due to the production process & raw material characteristics.

▶ NP5-9L

Industrial Plastic Pallet



Specifications:

Material	Virgin HDPE Inj. grade + UV Stabilizer
Dimension	1200 x 800 x 135 mm (±5 mm)
Static Load	2000 Kg
Dynamic Load	1000 Kg
Racking Load	X
Pallet Weight	7 Kg (±3%)
40' HC Cntr/88 m ³ TRK Capacity	1760 / 2300 Pcs

The load capacities are based on evenly distributed loads.

More details:

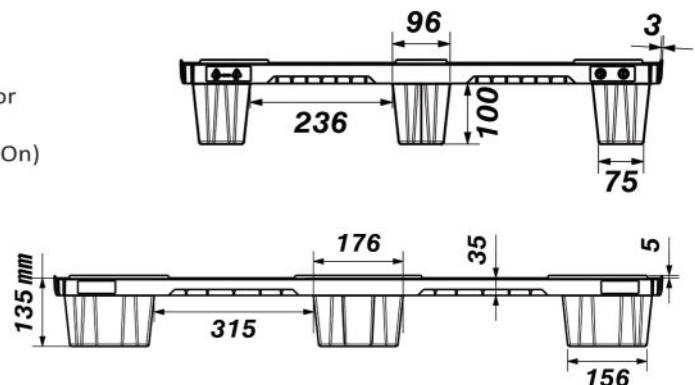


Properties:

- Single surface
- Closed top deck
- 9 Legs
- 5 mm safety rims
- 4-way entry
- Forklift / Hand-jack compatible
- Nestable
- One shot

Customization:

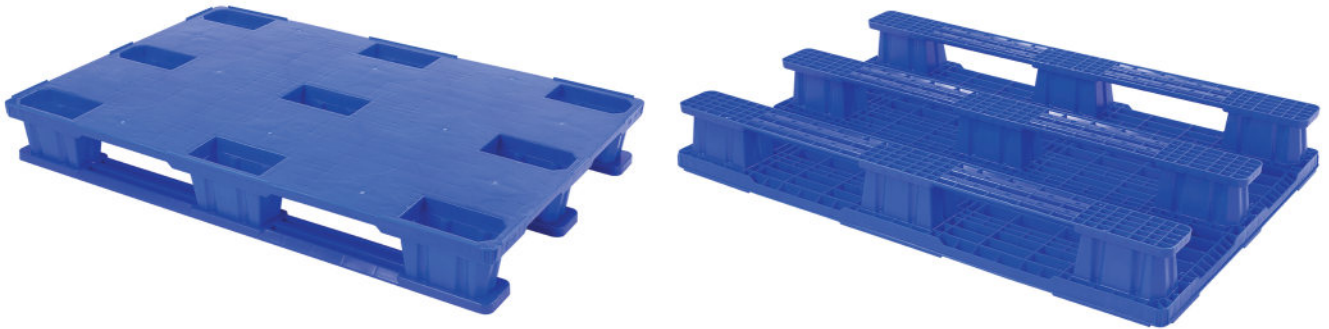
- Any standard RAL color
- Anti-slip strips option
- 3 skid runners (Snap-On)
- Safety rims
- Embossing logo
- Printing logo



All dimensions may vary ±5 mm due to the production process & raw material characteristics.

► NP5-3R

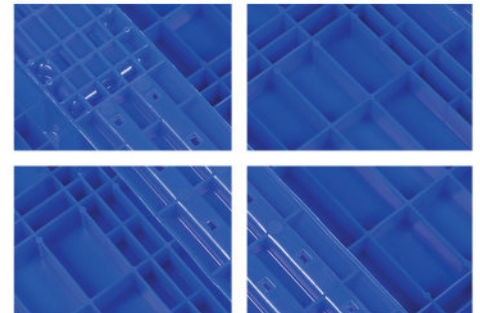
Industrial Plastic Pallet



Specifications:

Material	Virgin HDPE Inj. grade + UV Stabilizer
Dimension	1200 x 800 x 145 mm (±5 mm)
Static Load	2500 Kg
Dynamic Load	1250 Kg
Racking Load	400 Kg
Pallet Weight	9 Kg (±3%)
40' HC Cntr/88 m ³ TRK Capacity	1410 / 1820 Pcs

More details:



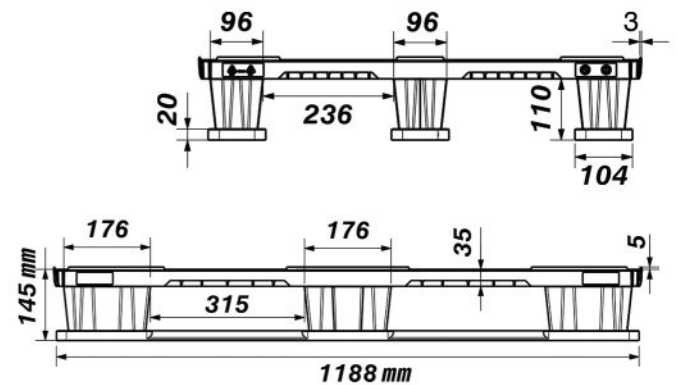
The load capacities are based on evenly distributed loads.

Properties:

- Single surface
- Closed top deck
- 3 skid runners (Snap-On)
- 5 mm safety rims
- 4-way entry
- Forklift / Hand-jack compatible
- Nestable (CKD)
- One Shot
- Stackable

Customization:

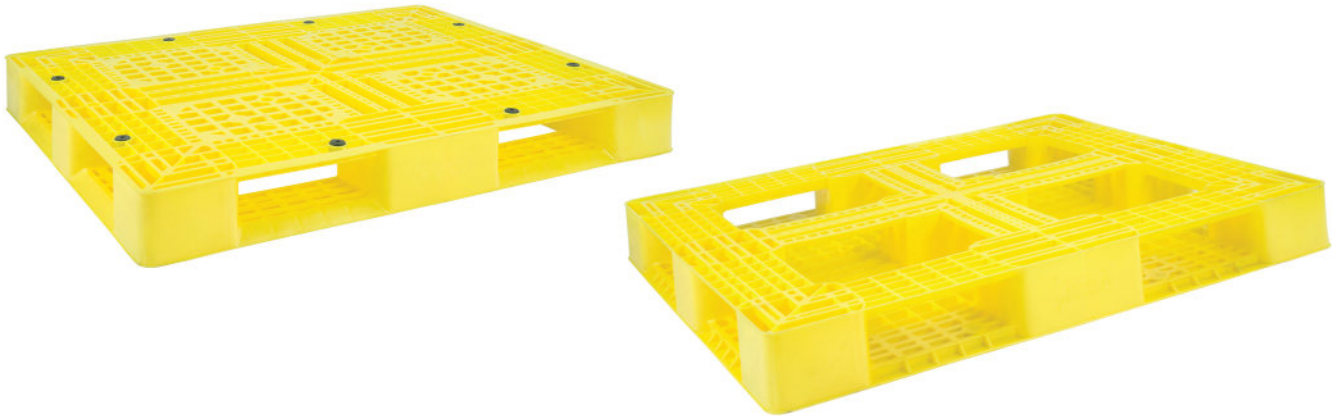
- Any standard RAL color
- Anti-slip strips option
- Safety rims
- Embossing logo
- Printing logo



All dimensions may vary ±5 mm due to the production process & raw material characteristics.

▶ PS1

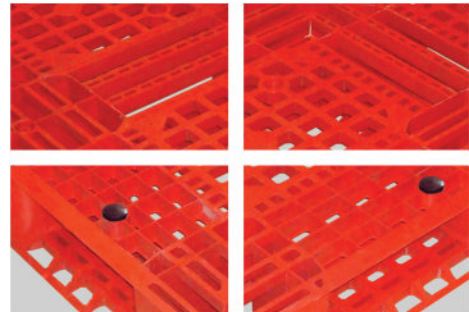
Industrial Plastic Pallet



Specifications:

Material	Virgin HDPE Inj. grade + UV Stabilizer
Dimension	1300 x 1100 x 150 mm (±5 mm)
Static Load	5000 Kg
Dynamic Load	1250 Kg
Racking Load	400 Kg
Pallet Weight	14.5 Kg (±3%)
40' HC Cntr/88 m ³ TRK Capacity	320 / 374 Pcs

More details:



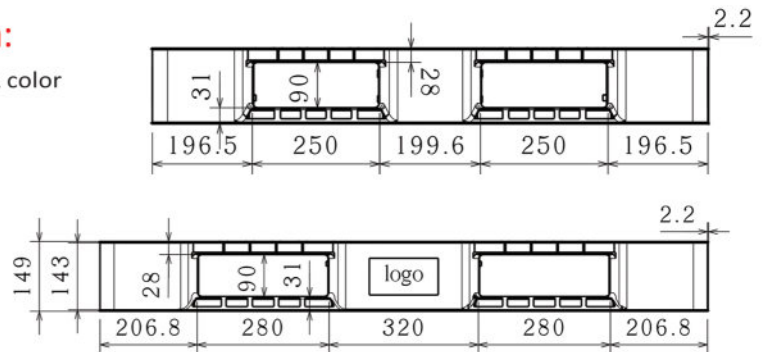
The load capacities are based on evenly distributed loads.

Properties:

- Single surface
- Ventilated full-perimeter decks
- Anti-slip rubber plugs
- 6 skid runners
- 4-way entry
- Forklift / Hand-jack compatible
- One shot
- Stackable

Customization:

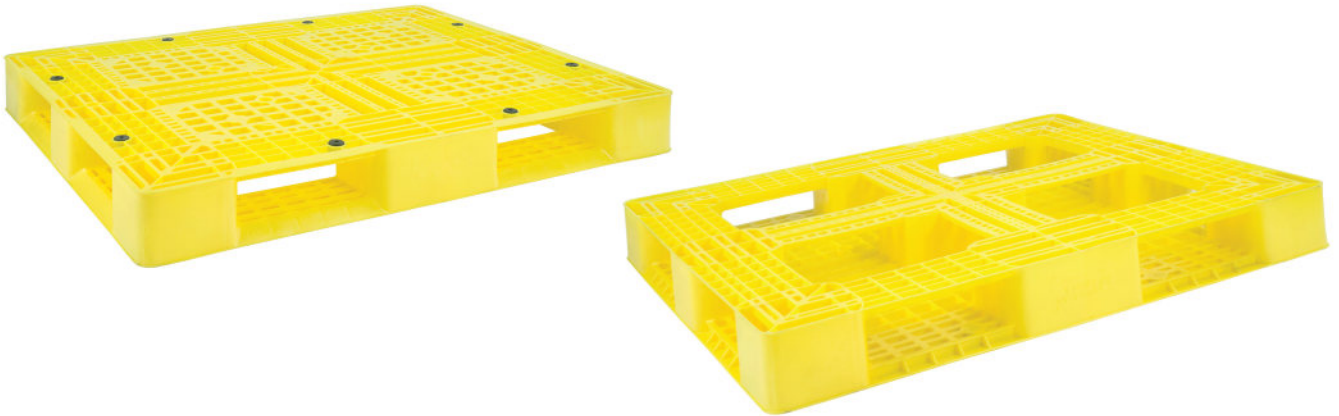
- Any standard RAL color
- Embossing logo
- Printing logo



All dimensions may vary ±5 mm due to the production process & raw material characteristics.

▶ PS2

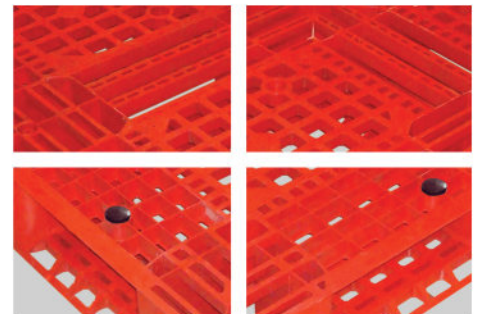
Industrial Plastic Pallet



Specifications:

Material	Virgin HDPE Inj. grade + UV Stabilizer
Dimension	1300 x 1100 x 150 mm (±5 mm)
Static Load	5000 Kg
Dynamic Load	1250 Kg
Racking Load	400 Kg
Pallet Weight	15.5 Kg (±3%)
40' HC Cntr/88 m ³ TRK Capacity	320 / 374 Pcs

More details:



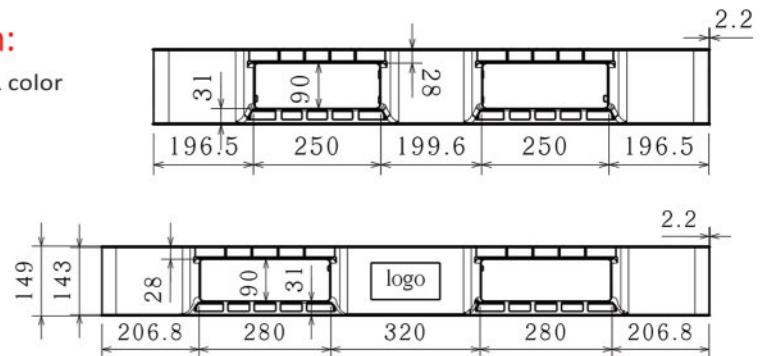
The load capacities are based on evenly distributed loads.

Properties:

- Single surface
- Ventilated full-perimeter decks
- Anti-slip rubber plugs
- 6 skid runners
- 4-way entry
- Forklift / Hand-jack compatible
- One shot
- Stackable

Customization:

- Any standard RAL color
- Embossing logo
- Printing logo



All dimensions may vary ±5 mm due to the production process & raw material characteristics.

► PS3-V1

Industrial Plastic Pallet



Specifications:

Material	Virgin HDPE Inj. grade + UV Stabilizer
Dimension	1300 x 1100 x 150 mm (±5 mm)
Static Load	5000 Kg
Dynamic Load	1375 Kg
Racking Load	600 Kg
Pallet Weight	18.5 Kg (±3%)
40' HC Cntr/88 m ³ TRK Capacity	320 / 374 Pcs

More details:



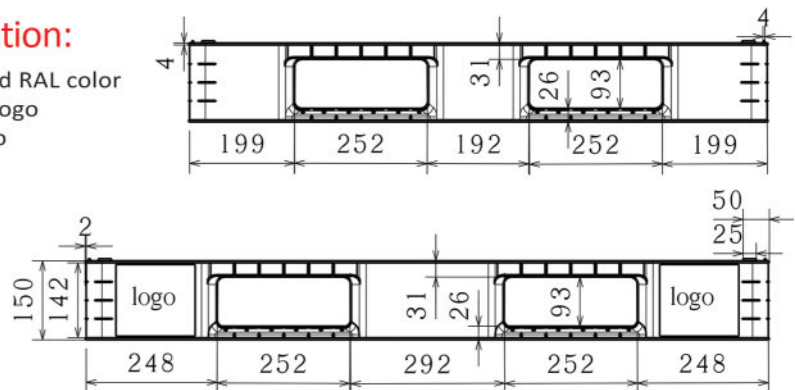
The load capacities are based on evenly distributed loads.

Properties:

- Single surface
- Ventilated full-perimeter decks
- Anti-slip rubber plugs
- 6 skid runners
- 4-way entry
- Forklift / Hand-jack compatible
- One shot
- Stackable

Customization:

- Any standard RAL color
- Embossing logo
- Printing logo



All dimensions may vary ±5 mm due to the production process & raw material characteristics.

► PS3-V2

Industrial Plastic Pallet



Specifications:

Material	Virgin HDPE Inj. grade + UV Stabilizer
Dimension	1300 x 1100 x 150 mm (±5 mm)
Static Load	5000 Kg
Dynamic Load	1375 Kg
Racking Load	600 Kg
Pallet Weight	18.5 Kg (±3%)
40' HC Cntr/88 m ³ TRK Capacity	320 / 374 Pcs

More details:



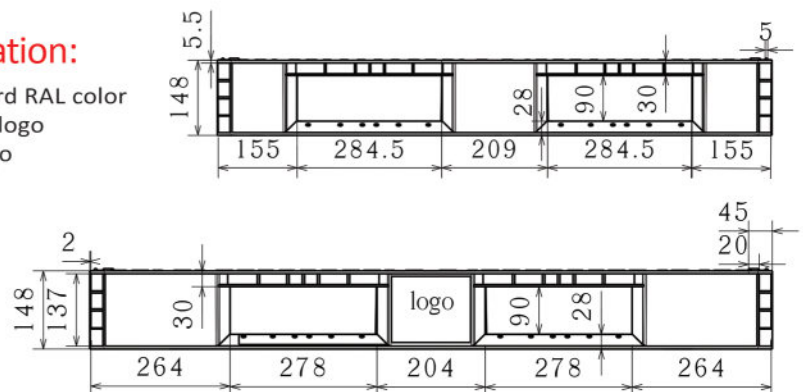
The load capacities are based on evenly distributed loads.

Properties:

- Single surface
- Ventilated full-perimeter decks
- Anti-slip rubber plugs
- 6 skid runners
- 4-way entry
- Forklift / Hand-jack compatible
- One shot
- Stackable

Customization:

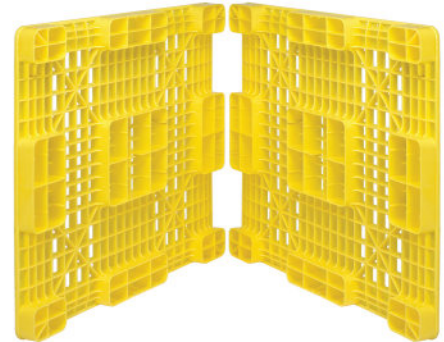
- Any standard RAL color
- Embossing logo
- Printing logo



All dimensions may vary ±5 mm due to the production process & raw material characteristics.

► PS4

Industrial Plastic Pallet



Specifications:

Material	Virgin HDPE Inj. grade + UV Stabilizer
Dimension	1300 x 1100 x 150 mm (±5 mm)
Static Load	6000 Kg
Dynamic Load	1800 Kg
Racking Load	1200 Kg
Pallet Weight	27.5 Kg (±3%)
40' HC Cntr/88 m ³ TRK Capacity	320 / 374 Pcs

More details:



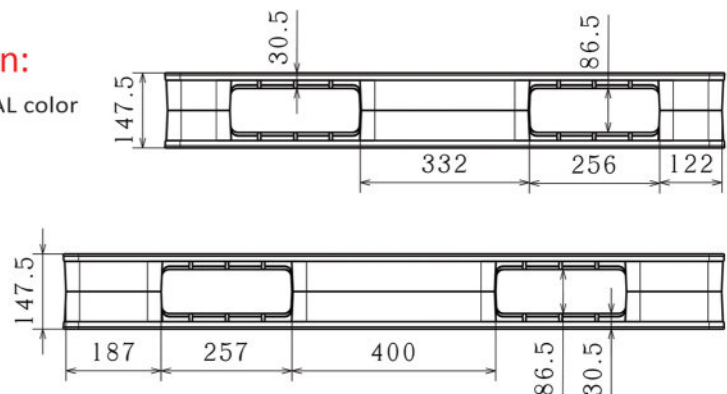
The load capacities are based on evenly distributed loads.

Properties:

- Double surface
- Reversible pallet
- Ventilated decks
- Anti-slip rubber plugs
- 4-way entry
- Forklift / Hand-jack compatible
- Welded
- Stackable

Customization:

- Any standard RAL color
- Embossing logo
- Printing logo



All dimensions may vary ±5 mm due to the production process & raw material characteristics.

IranPlast Group

With decades of remarkable experience in Packaging Industries and Waste Management, IranPlast Group is the notable Middle-Eastern group specialized in Plastic Pallet, Box Pallet and Plastic Waste Bin for different usages.



Contact Information

Add: Unit 6, No 15, Toopchi St., North Sohrevardi Ave., Tehran – IRAN
Tel: +98 21 88506080, 88515393
Fax: +98 21 88763625
E-mail: info@iranplast.com

Working Time

Sat-Wed: 09:00-17:00 / Thur: 09:-13:00
closed on weekend

