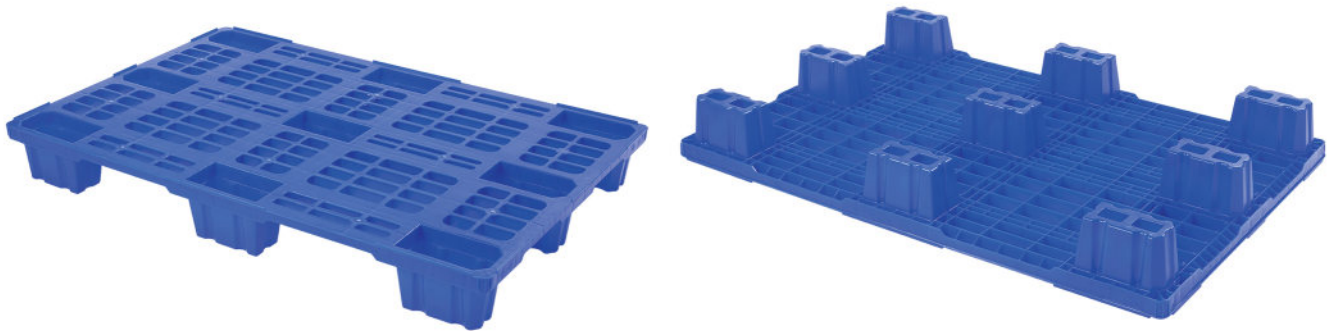


# ▶ NP4-9L

## Industrial Plastic Pallet

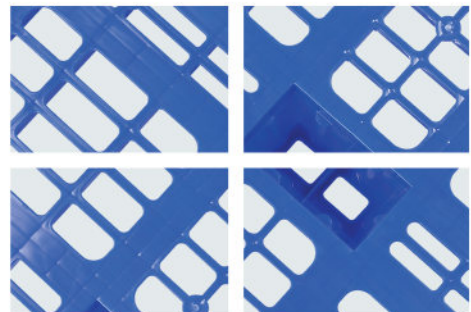


### Specifications:

Material	Virgin HDPE Inj. grade + UV Stabilizer
Dimension	1200 x 800 x 135 mm (±5 mm)
Static Load	2000 Kg
Dynamic Load	1000 Kg
Racking Load	X
Pallet Weight	6 Kg (±3%)
40' HC Cntr/88 m <sup>3</sup> TRK Capacity	1760 / 2300 Pcs

The load capacities are based on evenly distributed loads.

### More details:

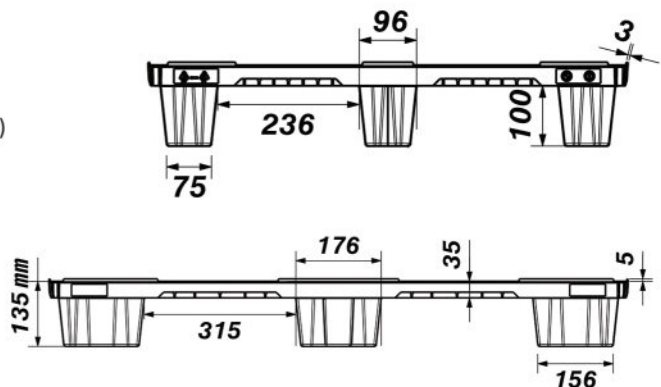


### Properties:

- Single surface
- Ventilated decks
- 9 Legs
- 5 mm safety rims
- 4-way entry
- Forklift / Hand-jack compatible
- Nestable
- One shot

### Customization:

- Any standard RAL color
- 3 skid runners (Snap-On)
- Safety rims
- Embossing logo
- Printing logo



All dimensions may vary ±5 mm due to the production process & raw material characteristics.