

▶ NP2-9L

Industrial Plastic Pallet

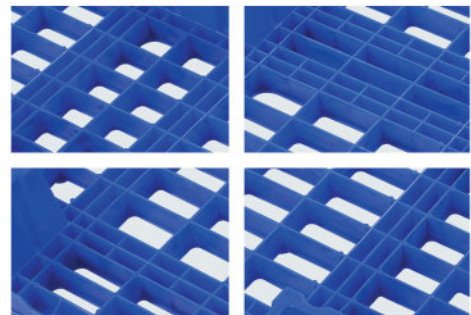


Specifications:

Material	Virgin HDPE Inj. grade + UV Stabilizer
Dimension	1200 x 1000 x 135 mm (±5 mm)
Static Load	2000 Kg
Dynamic Load	1250 Kg
Racking Load	X
Pallet Weight	7.2 Kg (±3%)
40' HC Cntr/88 m ³ TRK Capacity	1500 / 1820 Pcs

The load capacities are based on evenly distributed loads.

More details:

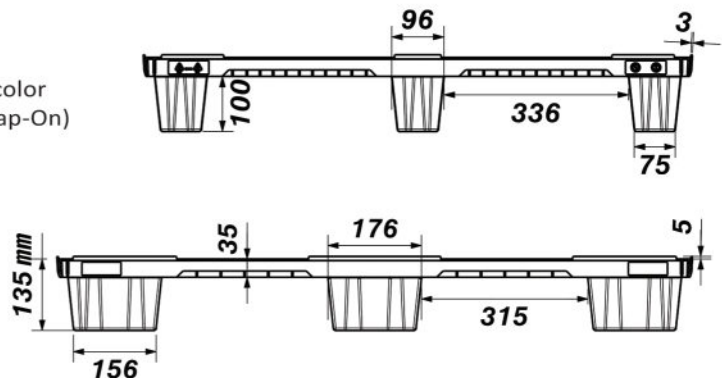


Properties:

- Single surface
- Ventilated decks
- 9 Legs
- 5 mm safety rims
- 4-way entry
- Forklift / Hand-jack compatible
- Nestable
- One shot

Customization:

- Any standard RAL color
- 3 skid runners (Snap-On)
- Safety rims
- Embossing logo
- Printing logo



All dimensions may vary ±5 mm due to the production process & raw material characteristics.