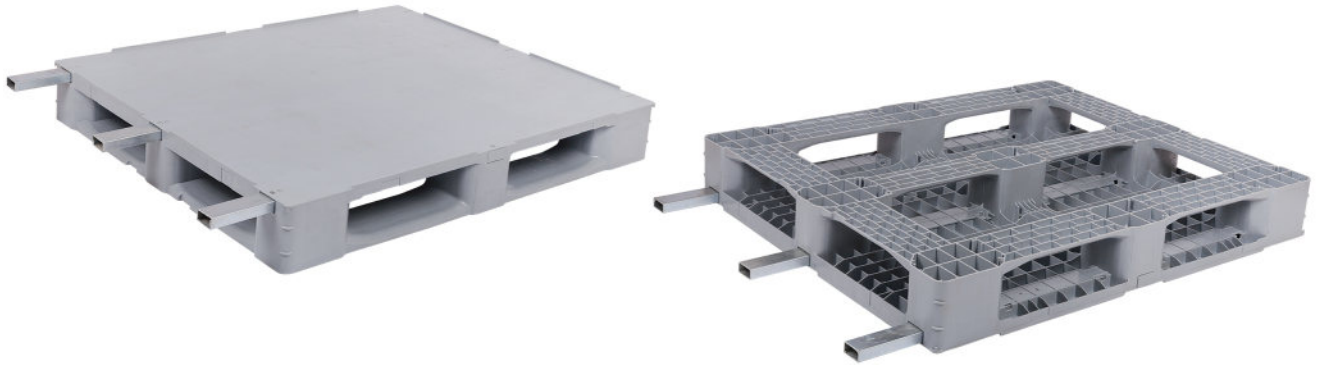


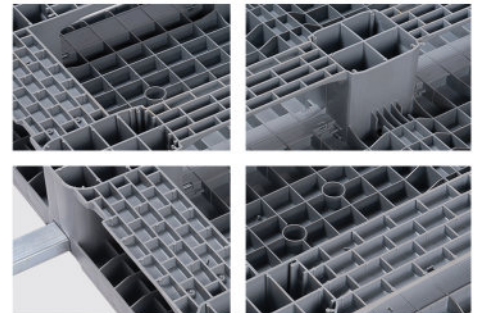
► IP5-5R-3P (Parallel profiles) Industrial Plastic Pallet



Specifications:

| | |
|--|--|
| Material | Virgin HDPE Inj. grade + UV Stabilizer |
| Dimension | 1200 x 1000 x 157 mm (±5 mm) |
| Static Load | 6000 Kg |
| Dynamic Load | 1750 Kg |
| Racking Load | 1500 Kg |
| Pallet Weight | 23 Kg (±3%) |
| 40' HC Cntr/88 m ³ TRK Capacity | 364 / 428 Pcs |

More details:



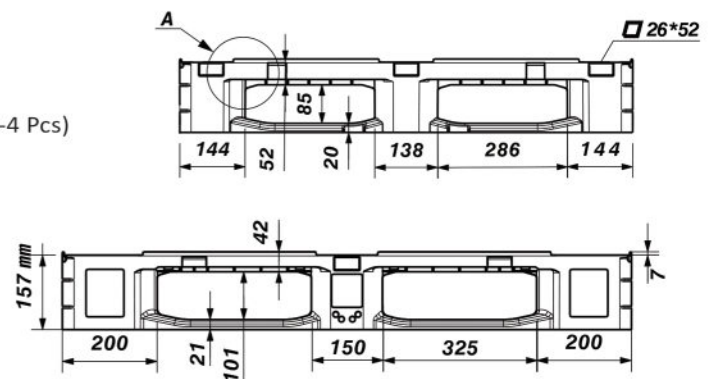
The load capacities are based on evenly distributed loads.

Properties:

- Single surface
- Closed top surface
- 3 reinforcement parallel profiles
- 7 mm safety rims
- 5 skid runners
- 4-way entry
- Forklift / Hand-jack compatible
- One shot
- Stackable

Customization:

- Any standard RAL color
- Anti-slip strips option (2-4 Pcs)
- 7-22 mm safety rims
- Embossing logo
- Printing logo



All dimensions may vary ±5 mm due to the production process & raw material characteristics.