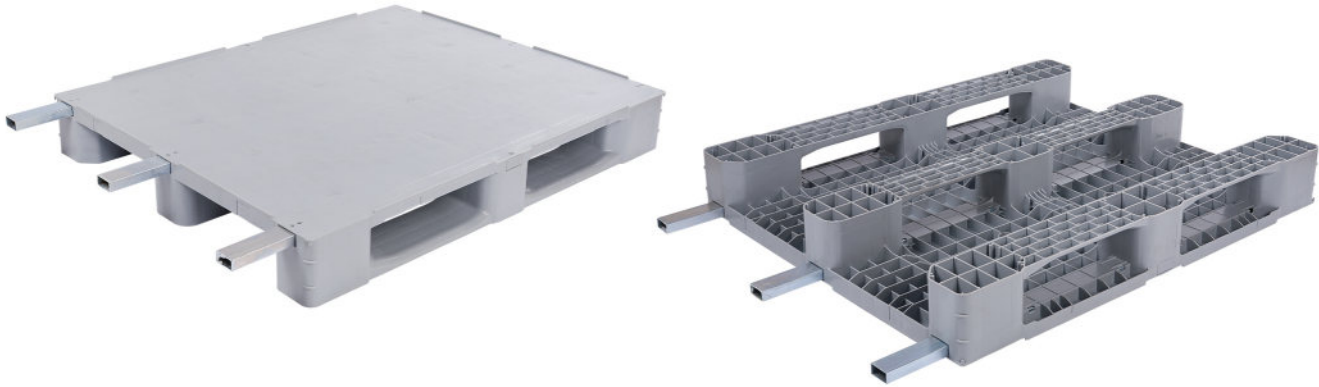


► IP5-3R-3P (Parallel Reinforced)

Industrial Plastic Pallet



Specifications:

Material	Virgin HDPE Inj. grade + UV Stabilizer
Dimension	1200 x 1000 x 157 mm (±5 mm)
Static Load	5000 Kg
Dynamic Load	1500 Kg
Racking Load	1500 Kg
Pallet Weight	22 Kg (±3%)
40' HC Cntr/88 m ³ TRK Capacity	473 / 520 Pcs

More details:



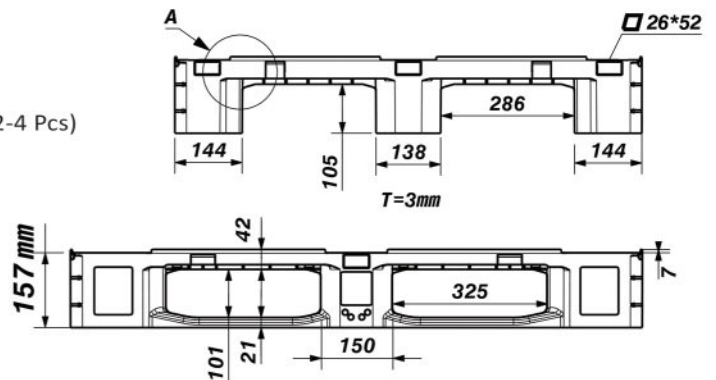
The load capacities are based on evenly distributed loads.

Properties:

- Single surface
- Closed top surface
- 3 reinforcement parallel profiles
- 7 mm safety rims
- 3 skid runners
- 4-way entry
- Forklift / Hand-jack compatible
- One shot
- Stackable

Customization:

- Any standard RAL color
- Anti-slip strips option (2-4 Pcs)
- 7-22 mm safety rims
- Embossing logo
- Printing logo



All dimensions may vary ±5 mm due to the production process & raw material characteristics.