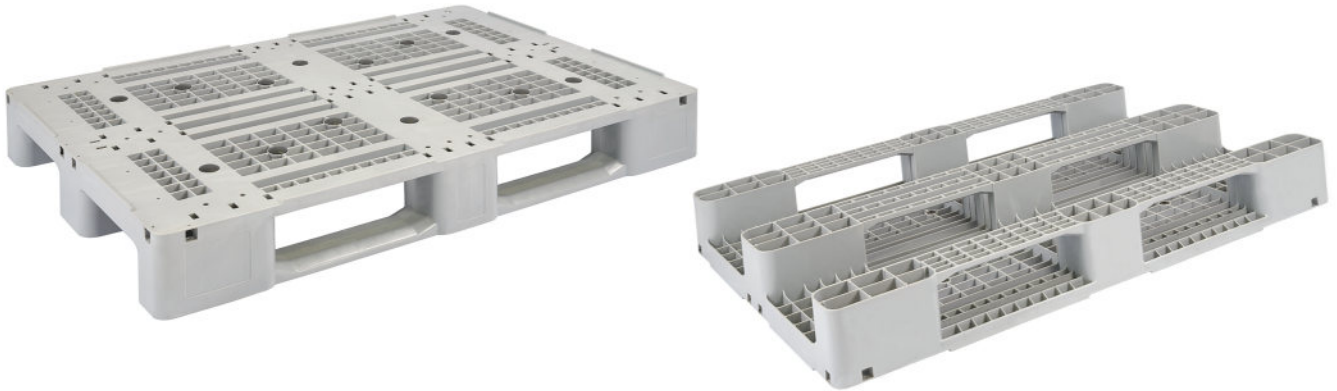


## ► ES1

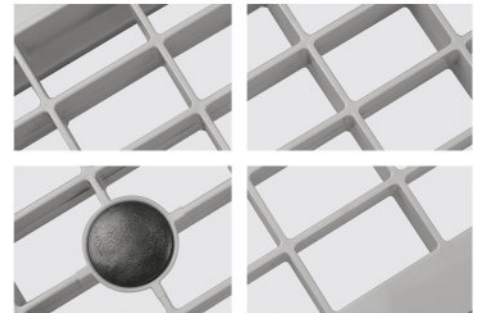
### Industrial Plastic Pallet



#### Specifications:

Material	Virgin HDPE Inj. grade + UV Stabilizer
Dimension	1200 x 800 x 150 mm (±5 mm)
Static Load	4000 Kg
Dynamic Load	1000 Kg
Racking Load	400 Kg
Pallet Weight	12 Kg (±3%)
40' HC Cntr/88 m <sup>3</sup> TRK Capacity	550 / 700 Pcs

#### More details:



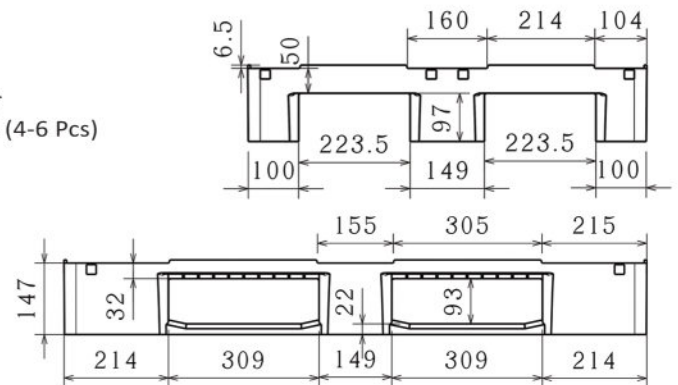
The load capacities are based on evenly distributed loads.

#### Properties:

- Single surface
- Ventilated decks
- 7 mm safety rims
- Anti-slip rubber plugs
- 3 skid runners
- 4-way entry
- Forklift / Hand-jack compatible
- One shot
- Stackable

#### Customization:

- Any standard RAL color
- Reinforcement profiles (4-6 Pcs)
- Safety rims
- Embossing logo
- Printing logo



All dimensions may vary ±5 mm due to the production process & raw material characteristics.