

► BPL1

Plastic Lid of Pallet Box

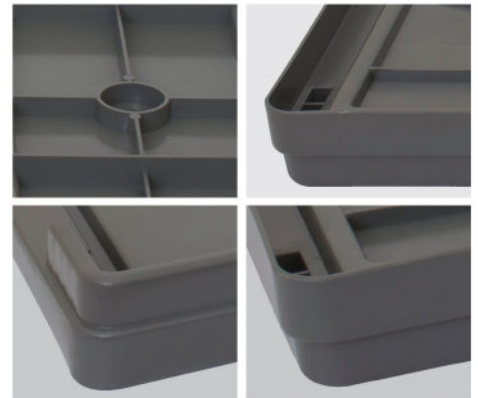


Specifications:

Material	Virgin HDPE Inj. grade + UV Stabilizer
External Dimension	1210 x 1010 x 80 mm (± 5 mm)
Internal Dimension	1200 x 1000 x 40 mm (± 5 mm)
Net Weight	7.5 Kg ($\pm 3\%$)
Interior Volume	x
Static Load	x
Dynamic Load	x
Racking Load	x
40' HC Cntr/88 m ³ TRK Capacity	1323 / 1638 Pcs

The load capacities are based on evenly distributed loads.

More details:

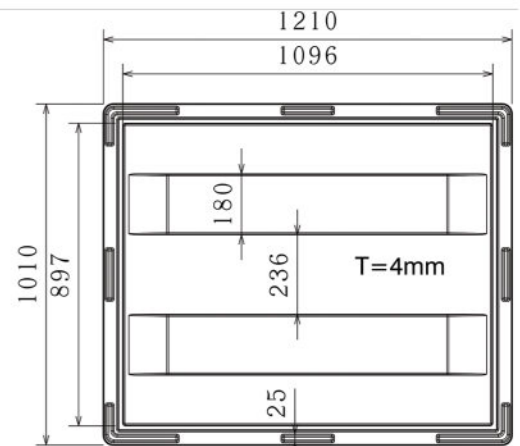
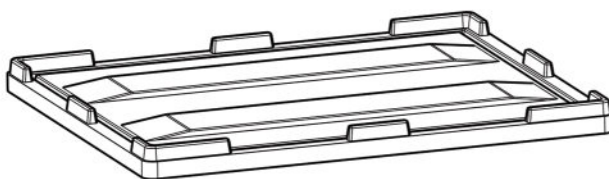


Properties:

- Solid
- 40 mm Lips
- Round corners
- One shot
- Stackable

Customization:

- Any standard RAL color
- Embossing logo



All dimensions may vary ± 5 mm due to the production process & raw material characteristics.