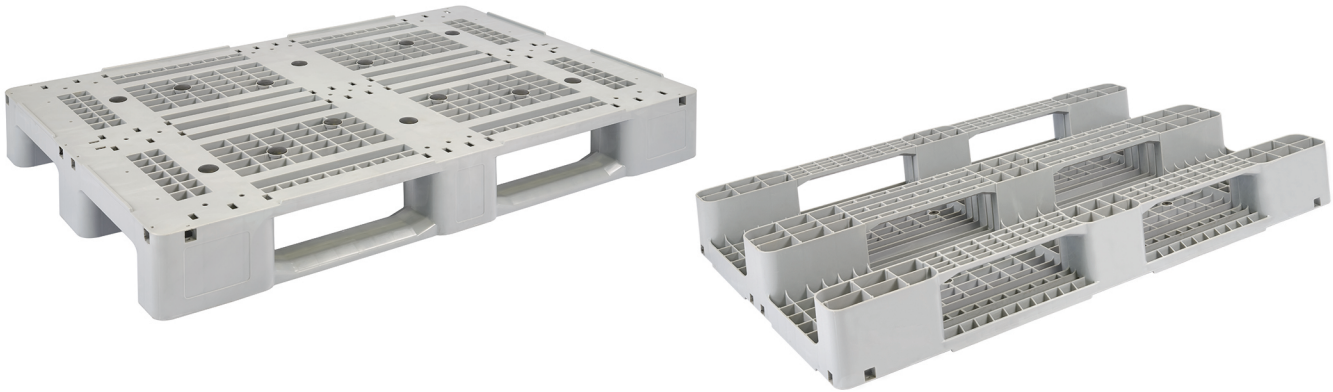


► IPL1208

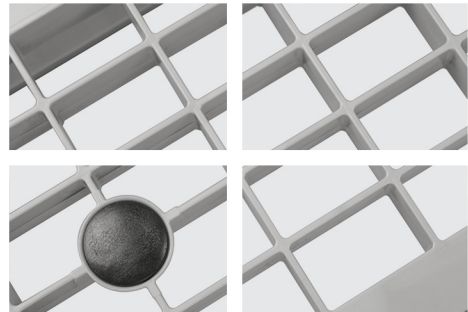
Industrial Plastic Pallet



Specifications:

Material	HDPE/PP Inj. Grade + UV Stabilizer
Dimension	1200 x 800 x 150 mm
Static Load	5000 Kg
Dynamic Load	1000 Kg
Racking Load	400 Kg
Pallet Weight	12 Kg (±3%)
40' HC Cntr/88 m ³ TRK Capacity	550 / 700 Pcs

More details:



Properties:

- Single surface
- Ventilated decks
- 7 mm safety rims
- Anti-slip rubber plugs
- 3 Skid runners
- 4-way entry
- Forklift / Hand-jack compatible
- One shot
- Stackable

Customization:

- Any standard RAL color
- Reinforcement profiles (4-6 Pcs)
- Embossing logo
- Printing logo
- Safety rims

