

▶ PRD80

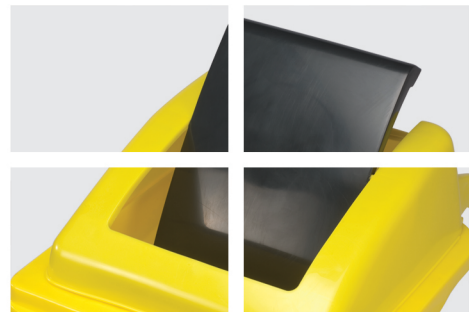
Two-wheeled Plastic Waste Bin



Specifications:

Material	HDPE Inj. Grade + UV Stabilizer
External Dimension	470 x 540 x 910 mm
Wheels/Casters	2 Rubber-tired Wheels
Capacity	80 Ltr
Payload	35 Kg
Bin Weight	8 Kg (±3%)
40' HC Cntr/88 m ³ TRK Capacity	1300 / 1650 Pcs

More details:

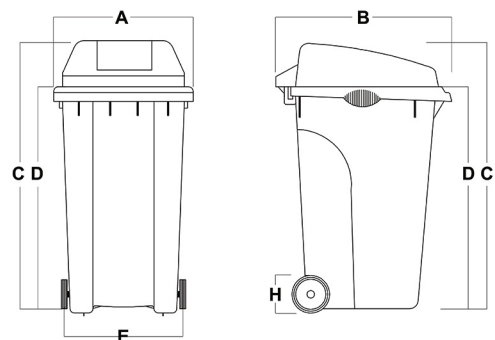


Properties:

- Dumper lid
- Travelling gear: 2-wheel Ø 200mm
- Axle: Semi-hollow axle from steel
- Receiver: comb lift
- Special place for micro chip
- Recyclable waste for household/public places
- Easy handling to carry around
- Smooth lid for opening & closing

Customization:

- Any standard RAL color
- Silk screen logo on body or lid
- Labeling on lid or body



A: 470 mm
B: 540 mm
C: 910 mm

D: 765 mm
E: 420 mm
H: 200 mm