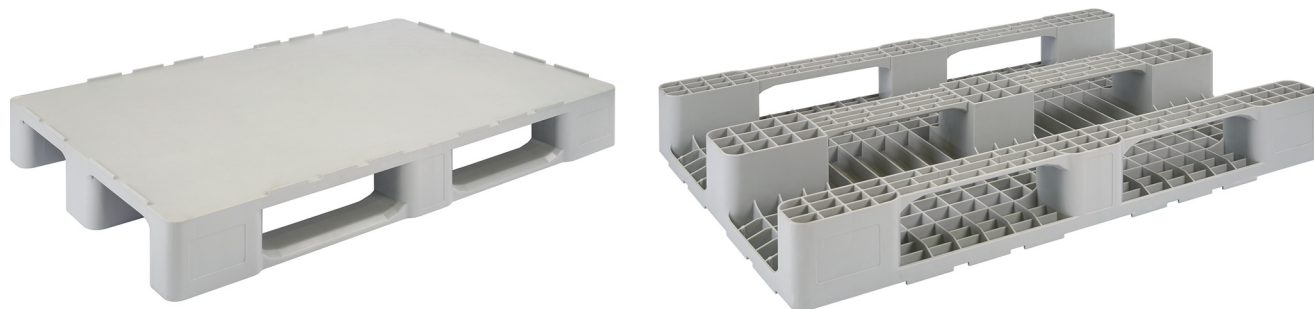


▶ HPS1208

Semi-Hygienic Plastic Pallet



Specifications:

Material	HDPE/PP Inj. Grade + UV Stabilizer
Dimension	1200 x 800 x 155 mm
Static Load	5000 Kg
Dynamic Load	1250 Kg
Racking Load	500 Kg
Pallet Weight	14 Kg (±3%)
40' HC Cntr/88 m ³ TRK Capacity	550 / 682 Pcs

More details:



Properties:

- Single surface
- Closed solid top deck
- 7 mm Safety rims
- 3 Skid runners
- 4-way entry
- Forklift / Hand-jack compatible
- One shot
- Stackable

Customization:

- Any standard RAL color
- Anti-slip strips option (2-4 Pcs)
- Embossing logo
- Printing logo
- Safety rims

